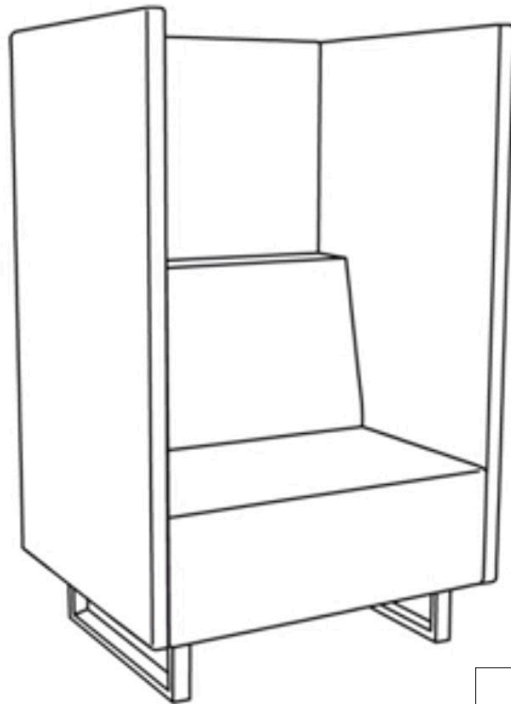


Monteringsanvisning Assembly instruction

U-sit Screen



Instruction Movie

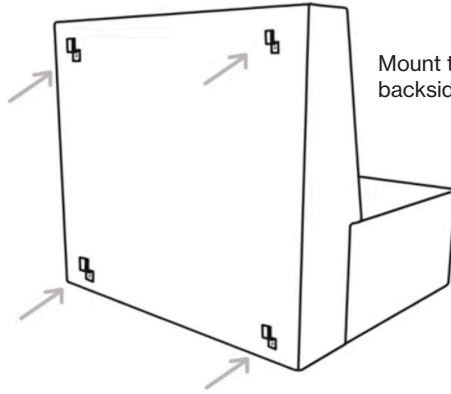


[johansondesign.se/downloads/
monteringsanvisningar](http://johansondesign.se/downloads/monteringsanvisningar)

[www.youtube.com/
watch?v=pWnqZYBvL0g](http://www.youtube.com/watch?v=pWnqZYBvL0g)

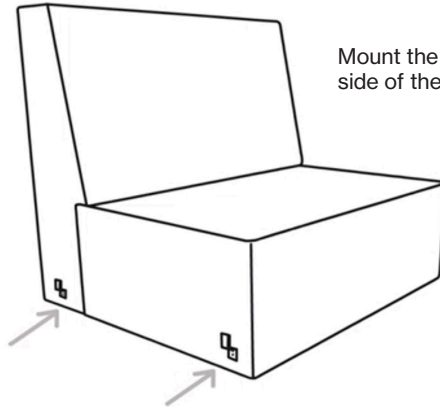
JOHANSON

1



Mount the hooks on the backside of the sofa

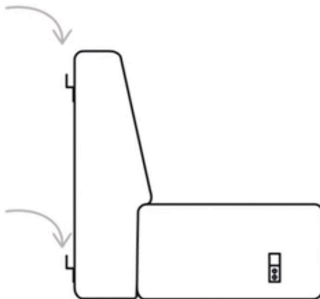
2



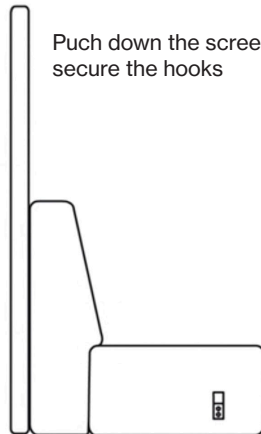
Mount the hooks on the side of the sofa

3

Mount the screen on the back of the sofa

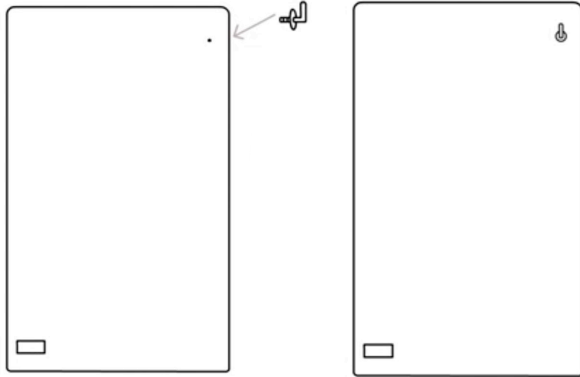


Puch down the screen to secure the hooks



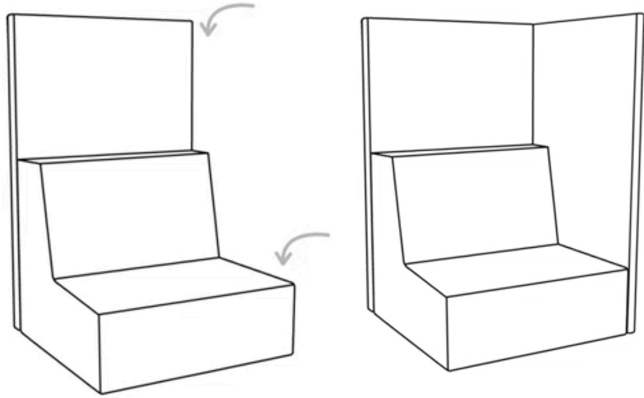
4

Screen side.
Install the supplied
screws as described



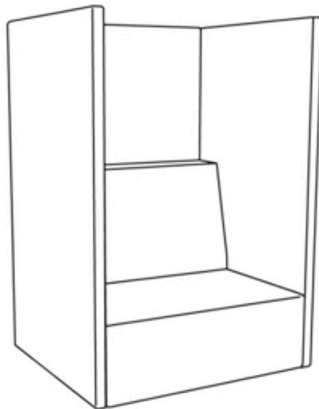
5

Mount the screen
on the side of the
sofa



6

The sofa should now
look like this



7

Lean the sofa backwards in order to get access to the underside of the sofa. Mount the brackets and legs as shown on the picture below.

