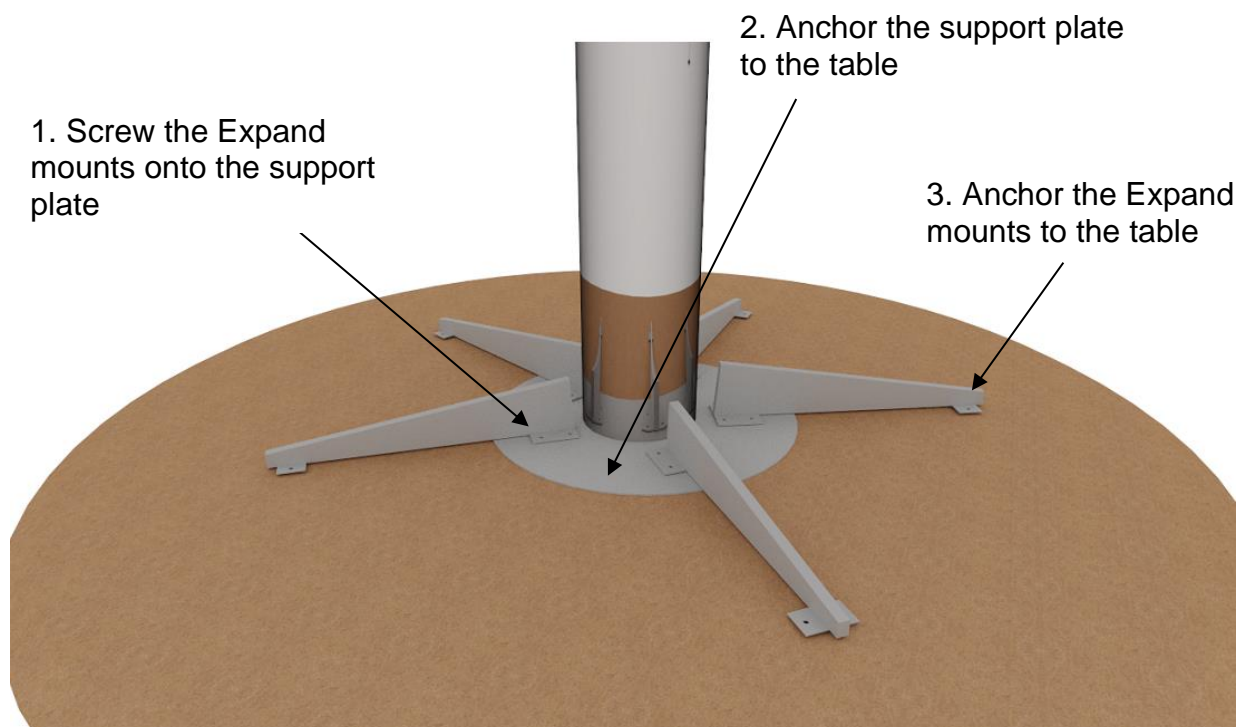
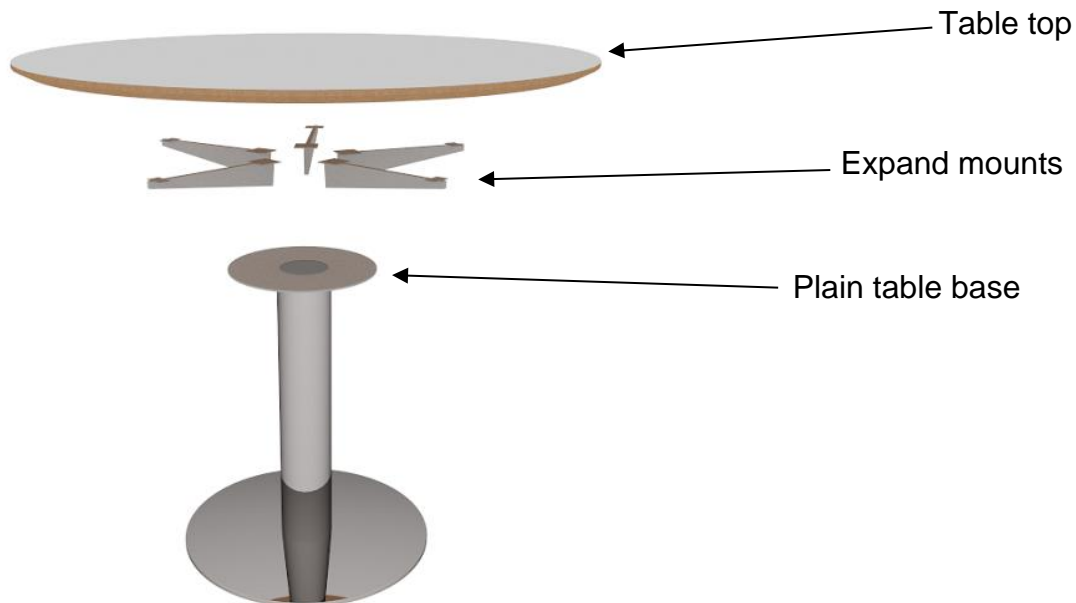


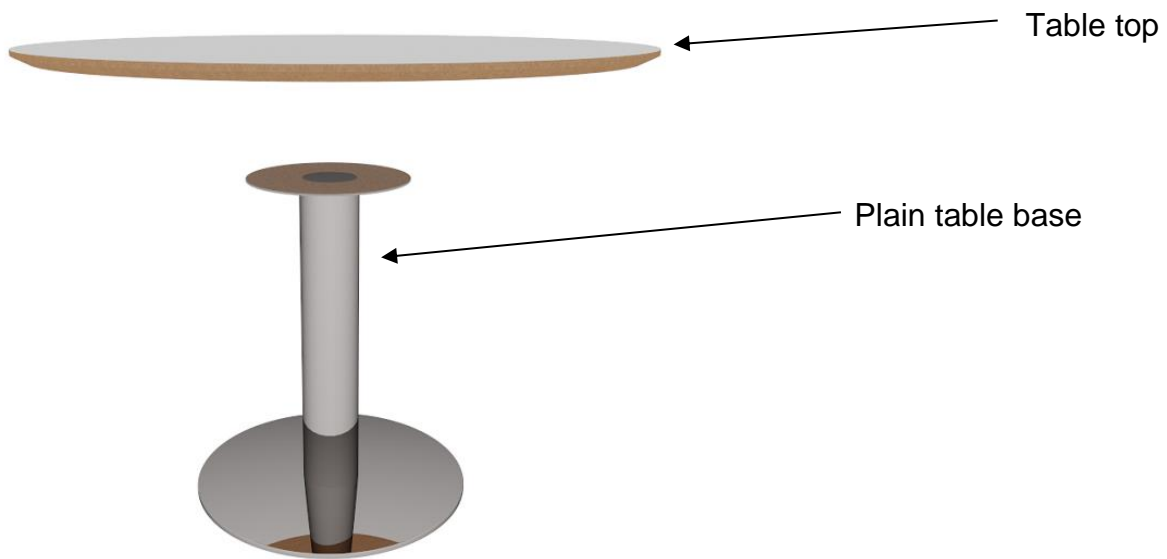
Mounting description

Plain 72/100 E & F for table tops Ø110-180



Mounting description

Plain 72/100 E for table tops Ø90-100



2. Anchor the support plate to the table in 5 different positions

