

Saga Classic

Design by Alexander Lervik



Prescriptive text

Light chair of only 4kg with wooden back of oak veneer that can be stained in any RAL. All wood is FSC certified. Base with 4 legs made out of steel. RAL-lacquer, structure lacquer or chrome. Padded and upholstered seat. The padding is CMHR foam. The chair is dismantlable, stackable and hangable because of the back.

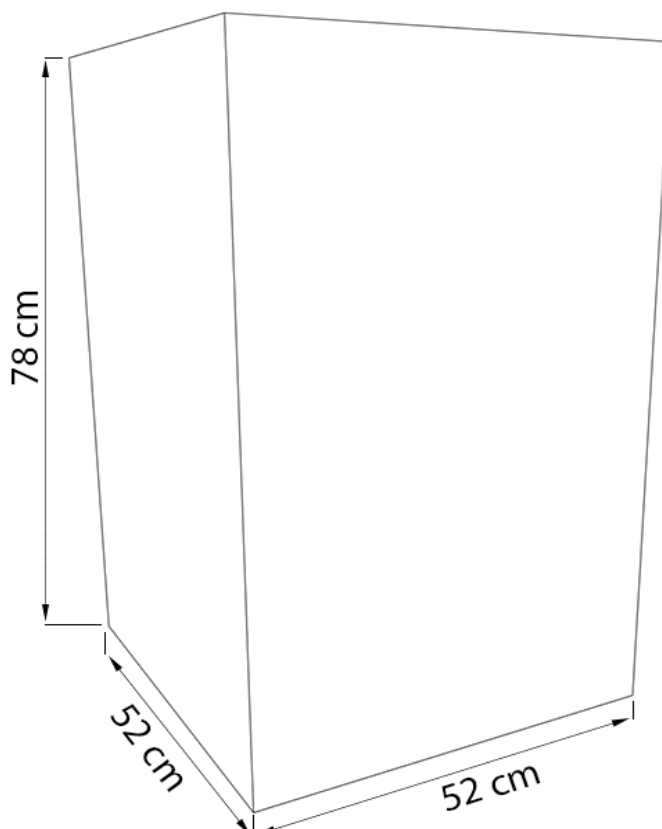
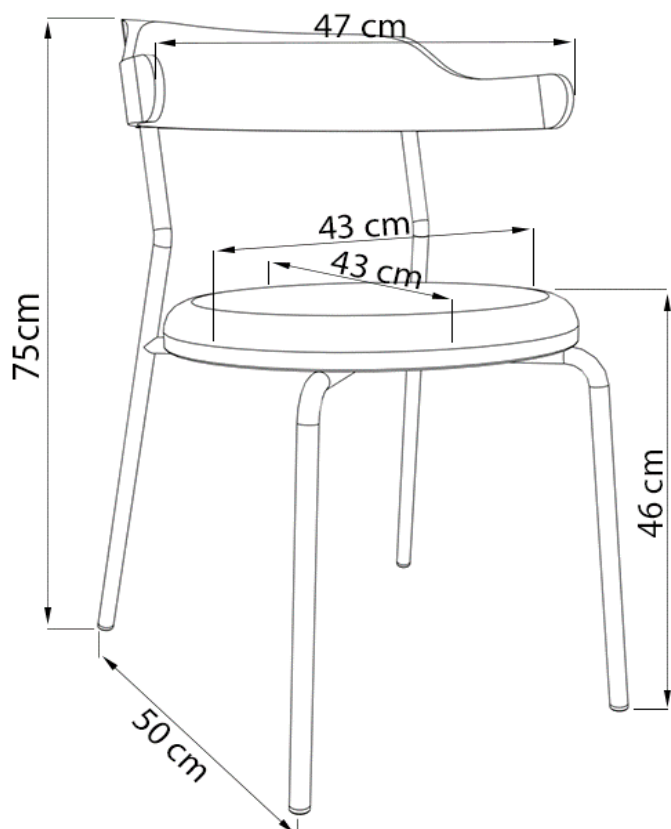
Dimensions (cm)

Product

Total height: 75 Total volume: 0,18m³
 Total width: 47 Total weight: 4,0kg
 Total depth: 50
 Seat height: 46
 Seat width: 43
 Seat depth: 43

Packaging

Total height: 78 Total volume: 0,21m³
 Total width: 52 Total weight: 1,8kg
 Total depth: 52



Information

Material

The seat and back are made out of plywood and the padding is CMHR foam with a density of 65kg/m³. The fabric consists of New Zealand wool and recycled polyester. The base is made out of finished/lacquered low carbon steel.

Cleaning

The product is cleaned in different ways depending on the material, upholstery etc. For more information see the care instructions on our website under "Downloads > Drawings/Care instructions > Care instructions".

Customizations

For all customizations the back is available in different veneers such as oak, black stained oak or white stained oak, The base is available in black, white, chrome or multicolour.

Certificates

Möbelfakta

TMF	Cert id	0120210611
	Date	2021-06-11

ISO 14001

RISE	Cert id	5295 M
	Date	2019-09-18

Surface resistance

RISE	Cert id	8F020761B
	Date	2018-10-05

Strength, durability and safety

RISE	Cert id	152623C
	Date	2021-05-24

Flammability

WYJS	Cert id	113785
	Date	2019-11-26

Reuse

Amount of recycled material in the product

Material	Recycled (%)	Recycled (g)
Low carbon steel (<i>Base</i>)	30%	600
Plywood (<i>Seat / Back</i>)	65%	845
PUR-foam (<i>Padding</i>)	10%	40
LLDPE (<i>Glides</i>)	80%	8
Wool / PET (<i>Upholstery</i>) *	44%	106
Recycled material	40,5%	1599g

Possibility to recycle

Details

Base	99%	1980g
Seat	100%	1300g
Padding	99%	396g
Glides	100%	10g
Upholstery	100%	240g
Total	99,4%	3926g
Heatvalue	3,30 kWh/kg	

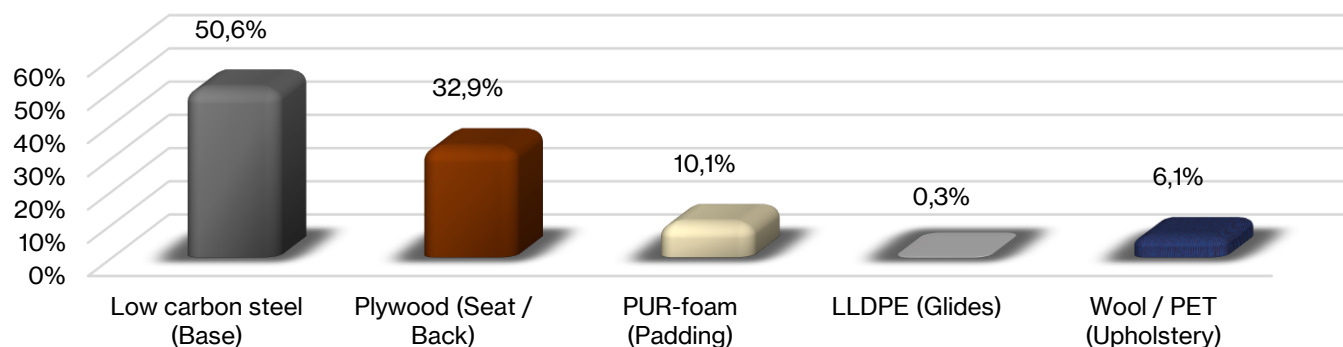
Possibility to repair

Johanson always offers reparation of all our products. Contact our support for more information.

Materialspecification

Material	Weight (%)	Weight (g)
Low carbon steel (<i>Base</i>)	50,6%	2000
Plywood (<i>Seat / Back</i>)	32,9%	1300
PUR-foam (<i>Padding</i>)	10,1%	400
LLDPE (<i>Glides</i>)	0,3%	10
Wool / PET (<i>Upholstery</i>)	6,1%	240
Total	100%	3950g

Materialspecification



*The amount of recycled material in the upholstery differs from fabric to fabric. The data is taken from one of our standard fabrics Swing.

For more information please visit www.johansondesign.com

JOHANSON