

# Cobra

Design – Börje Johanson



**JOHANSON**



## Introduction

Solid, stable bar stools that have long been part of our range. Big sellers in the hotel and restaurant sector.

# Models

---



Cobra 01-75



Cobra 01-82

# Material

---

## Seat - Upholstery materials

Johanson offers a very generous range of fabrics, leather and artificial leather from the most reputable suppliers in the world. Should any other material be desired despite the wide selection, it is also possible to suggest other materials. Johanson does not charge start-up costs for handling non-standard materials.

## Multicolour - Finish RAL

Take part in Johanson's color range, 400 variants of different finishes are offered as standard on steel frames and metal details. Choose from all 192 RAL colors, alternatives are available both as solid finish (gloss 72) or Structure finish which has a matte, slightly textured elegant surface. In addition, 15 RAL colors with pearl finish and chrome are offered.

For all colours see [www.johansondesign.com](http://www.johansondesign.com)

**192 Solid collection (gloss 72)**

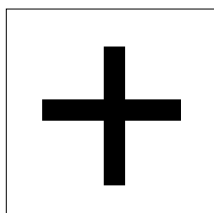
**192 Structure collection (matte, textured surface)**

**15 Pearl finish collection**



# Accessories

---



## Extra

Floor fixing

# Facts

---

## Material


- The frame consists of wood and CMHR foam (density 65kg) that meets the highest requirements for flammability (CMHR quality). The base is made of finished/lacquered metal.

## Certificate

- Fire certificate (Danak)

**BIM - objects can be downloaded at**

**johansondesign.com**

 3D Max  Autocad 2D

 Archicad  Autocad 3D

 Revit  Sketchup

 pCon

## Recycling

All steel parts are recyclable.

Before we finish the chrome/lacquer all grease/oil is removed by alkaline wash and then sent for destruction. The lacquering is produced by electrostatic epoxy powder coating that gives a minimum of waste. The electrostatic chrome (chrome 3) is recyclable. The plastic parts that are used are recyclable by grinding. All upholstery and frames of synthetic material are totally without C.F.C. emissions. All glue is water based.

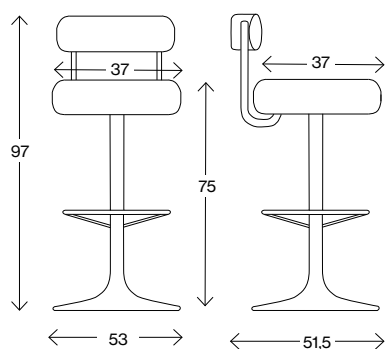
## Material declaration

For more information about the product please download material declaration on our website, under Downloads à Product Information at [www.johansondesign.com](http://www.johansondesign.com)

# Facts

---

Measurements cm

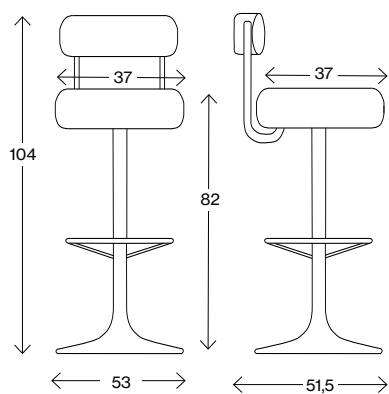


**Cobra 01-75**

Weight (kg)  
Volym (m<sup>3</sup>)

13,0  
0,18

Measurements cm



**Cobra 01-82**

Weight (kg)  
Volym (m<sup>3</sup>)

13,0  
0,18



# JOHANSON

---

Johanson Design AB | Anders Anderssons Väg 7 | 285 35 Markaryd | Sweden  
Tel +46-433 725 00 | [www.johansondesign.com](http://www.johansondesign.com)