

Bella

Design – Börje Johanson



JOHANSON



Introduction

Beautiful aerodynamic design, created by Johanson Design's founder Börje Johanson. Today this is a whole family of furniture to mix and match.

Models



Bella 01-46



Bella 05-46



Bella 05-46
Wheels, tilt mechanism height adj

Material

Seat - Upholstery materials

Johanson offers a very generous range of fabrics, leather and artificial leather from the most reputable suppliers in the world. Should any other material be desired despite the wide selection, it is also possible to suggest other materials. Johanson does not charge start-up costs for handling non-standard materials.

Multicolour - Finish RAL

Take part in Johanson's color range, 400 variants of different finishes are offered as standard on steel frames and metal details. Choose from all 192 RAL colors, alternatives are available both as solid finish (gloss 72) or Structure finish which has a matte, slightly textured elegant surface. In addition, 15 RAL colors with pearl finish and chrome are offered.

For all colours see www.johansondesign.com

- 192 Solid collection (gloss 72)
- 192 Structure collection (matte, textured surface)
- 15 Pearl finish collection and chrome.

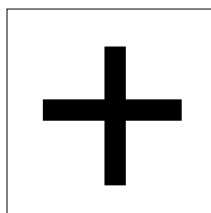


Accessories



Wheels

Wheels for 05-base in black, white and chrome.



Extra

Tilt mechanism and height adjustment for 05-base.
Floor fixing 01-base
Quilting

Facts

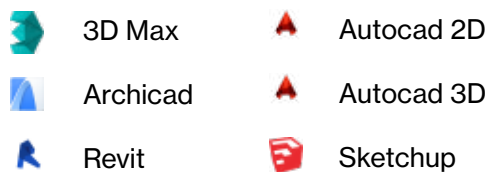
Material

- The frame consists of wood and CMHR foam (density 65kg) that meets the highest requirements for flammability (CMHR quality). The base is made of finished/lacquered metal.

Certificate

- Fire certificate (Danak)

BIM - objects can be downloaded at
johansondesign.com



Recycling

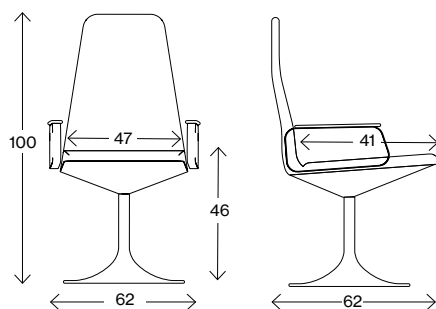
All steel parts are recyclable. Before we finish the chrome/lacquer all grease/oil is removed by alkaline wash and then sent for destruction. The lacquering is produced by electrostatic epoxy powder coating that gives a minimum of waste. The electrostatic chrome (chrome 3) is recyclable. The plastic parts that are used are recyclable by grinding. All upholstery and frames of synthetic material are totally without C.F.C. emissions. All glue is water based.

Material declaration

For more information about the product please download material declaration on our website, under Downloads à Product Information at www.johansondesign.com

Facts

Measurements cm

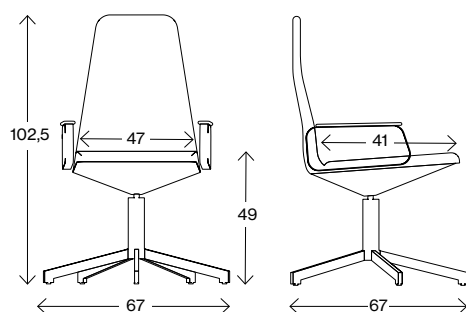


Bella 01-46

Weight (kg) 12,0
Volym (m³) 0,32

Swivel base.

Measurements cm



Bella 05-46

Weight (kg) 12,0
Volym (m³) 0,32
Height with height adjustment 98,5-109,5
Seat height with height adjustment 45-56

Swivel base.
The facts also apply to model with tilt and height adjustment.







JOHANSON

Johanson Design AB | Anders Anderssons Väg 7 | 285 35 Markaryd | Sweden
Tel +46-433 725 00 | www.johansondesign.com