

Aston

Design – Johan Lindstén



JOHANSON



Introduction

Johanson has enjoyed many years of close collaboration with Johan Lindstén. Now we are proud to add ASTON to the many other products in the Johanson range that already bear his name.

ASTON is a slender stackable chair. Thanks to the understated elegance of its sleek lines, it can reflect different personalities through the choice fabric and colour of metal frame. The slender silhouette gives ASTON its lightness, while minor details such as the fastenings that connect the legs and back are hidden in the construction. Some inspiration for ASTON has been borrowed from the classic Tho-

net café chair, whose design remains as practical and appealing today as it has always been. ASTON is the very epitome of design that seeks to minimise the number of components and use techniques such as 3D bending without compromising appearance or comfort in any way.

“ASTON is a lightweight construction with fantastic ergonomic properties and an innovative design that flirts with by-gone times and styles. The 3D curve of the leg frame provides a natural ‘handle’ in the back, which makes the chair easy to move in public spaces. And there is flexibility, too, in the different finishes and alternatives,” says Johan Lindstén.



Designer

Johan Lindstén's products are characterised by well-thought out design and unexpected details in a creative process that optimises function. Johan wants his designs to interact with their surroundings in a way that influences the mood of the user. He draws his inspiration from the most unlikely of sources, such as the lilac bush outside his home or the Ocean of Storms on the moon.



Model



Aston 08-46

Material

Seat - Upholstery materials

Johanson offers a very generous range of fabrics, leather and artificial leather from the most reputable suppliers in the world. Should any other material be desired despite the wide selection, it is also possible to suggest other materials. Johanson does not charge start-up costs for handling non-standard materials.

Multicolour - Finish RAL

Take part in Johanson's color range, 400 variants of different finishes are offered as standard on steel frames and metal details. Choose from all 192 RAL colors, alternatives are available both as solid finish (gloss 72) or Structure finish which has a matte, slightly textured elegant surface. In addition, 15 RAL colors with pearl finish.

For all colours see www.johansondesign.com

192 Solid collection (gloss 72)

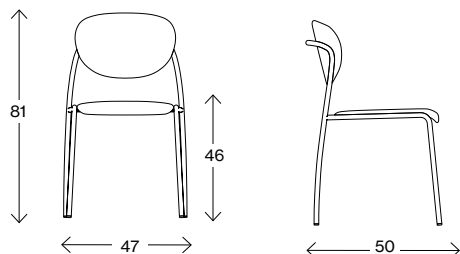
192 Structure collection (matte, textured surface)

15 Pearl finish collection



Facts

Measurements cm



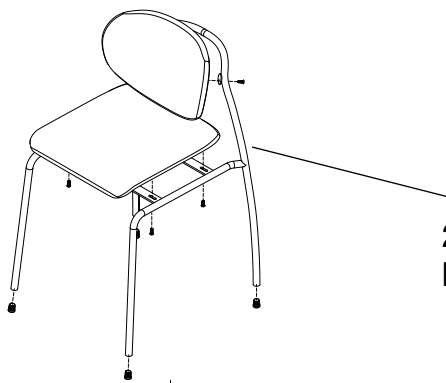
Aston 08-46



Weight (kg) -
Volume (m³) -

Aston in detail

Separable



20-50%
Recycled Swedish steel

Material

The seat is made in moulded CMHR foam (density 65kg) that meets the highest requirements for flammability (CMHR quality). The base is made of finished/lacquered metal.

Certificate

- Fire certificate

BIM - objects can be downloaded

at johansondesign.com



3D Max



Sketchup



Archicad



pCon



Revit



Autocad 2D



Autocad 3D

Recycling

All steel parts are recyclable. Before we finish the chrome/lacquer all grease/oil is removed by alkaline wash and then sent for destruction. The lacquering is produced by electrostatic epoxy powder coating that gives a minimum of waste. The electrostatic chrome (chrome 3) is recyclable. The plastic parts that are used are recyclable by grinding. All upholstery and frames of synthetic material are totally without C.F.C. emissions. All glue is water based.

Material declaration

For more information about the product please download material declaration on our website, under Downloads à Product Information at www.johansondesign.com







JOHANSON

Johanson Design AB | Anders Anderssons Väg 7 | 285 35 Markaryd | Sweden
Tel +46-433 725 00 | www.johansondesign.com