

Family
Pilot

Design – Alexander Lervik



JOHANSON



Introduction

The thin design of this elegant conference chair creates a feeling of lightness. The ambition of the design phase was to create the impression of a light seat with excellent comfort. The chair is available with the option of a vertically adjustable base with tilting ability. It can be ordered with either a high or low back, and with or without armrests.



Designer

Alexander Lervik is one of Sweden's most well-known designers, collaborating with a number of national and international producers, including Moroso, Zero, Designhouse Stockholm and Johanson. Though his main focus is lighting, furniture and product design, he also creates concepts for hotel and restaurant interiors and collaborates with fashion brands.



Models



Pilot High 05-46*



Pilot High WA 05-46*



Pilot High WA 05-46
Wheels, tilt mechanism height adj



Pilot Low 05-46*



Pilot Low WA 05-46*



Pilot Low WA 05-46
Wheels, tilt mechanism height adj

* Available with wheels, tilt mechanism and height adjustment

Material

Seat - Upholstery materials

Johanson offers a very generous range of fabrics, leather and artificial leather from the most reputable suppliers in the world. Should any other material be desired despite the wide selection, it is also possible to suggest other materials. Johanson does not charge start-up costs for handling non-standard materials

Multicolour - Finish RAL

Take part in Johanson's color range, 400 variants of different finishes are offered as standard on steel frames and metal details. Choose from all 192 RAL colors, alternatives are available both as solid finish (gloss 72) or Structure finish which has a matte, slightly textured elegant surface. In addition, 15 RAL colors with pearl finish and chrome are offered.

For all colours see www.johansondesign.com

192 Solid collection (gloss 72)

192 Structure collection (matte, textured surface)

15 Pearl finish collection and chrome.



Accessories



Armrest

Armrest wrapped with black leather or Elmosoft 54035.



Wheels

Wheels for O5-base in black, white and chrome.



Quilting

Contact Johanson customer service for more information.

Facts

Material

The seat is made in moulded CMHR foam (density 65kg) that meets the highest requirements for flammability (CMHR quality). The base is made of finished/lacquered metal.

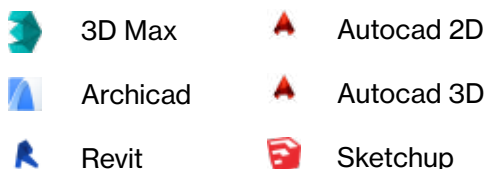
Certificate

- Fire certificate (Danak)



BIM - objects can be downloaded

at johansondesign.com



 pCon

Recycling

All steel parts are recyclable. Before we finish the chrome/lacquer all grease/oil is removed by alkaline wash and then sent for destruction. The lacquering is produced by electrostatic epoxy powder coating that gives a minimum of waste. The electrostatic chrome (chrome 3) is recyclable. The plastic parts that are used are recyclable by grinding. All upholstery and frames of synthetic material are totally without C.F.C. emissions. All glue is water based.

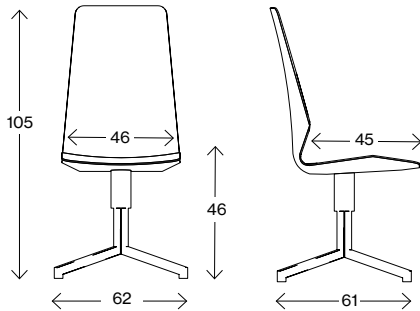
Material declaration

For more information about the product please download material declaration on our website, under Downloads à Product Information at www.johansondesign.com



Facts

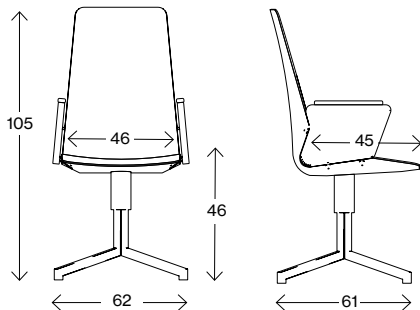
Measurements cm



Pilot High 05-46

Weight (kg)	12,0
Volym (m ³)	0,32
Height with height adjustment	105-119
Seat height with height adjustment	45-58,5

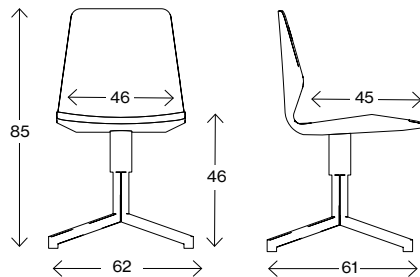
Measurements cm



Pilot High WA 05-46

Weight (kg)	12,0
Volym (m ³)	0,32
Height with height adjustment	105-119
Seat height with height adjustment	45-58,5

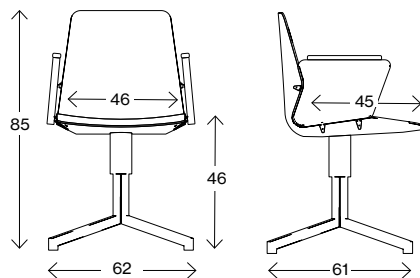
Measurements cm



Pilot Low 08-46

Weight (kg)	12
Volym (m ³)	0,266
Height with height adjustment	85-99
Seat height with height adjustment	45-58,5

Measurements cm



Pilot Low WA 08-46

Weight (kg)	12
Volym (m ³)	0,266
Height with height adjustment	85-99
Seat height with height adjustment	45-58,5











JOHANSON

Johanson Design AB | Anders Anderssons Väg 7 | 285 35 Markaryd | Sweden
Tel +46-433 725 00 | www.johansondesign.com