

# Jupiter

Design – Börje Johanson



**JOHANSON**



## Introduction

Solid, stable bar stools that have long been part of our range. Big sellers in the hotel and restaurant sector.

# Models

---



Jupiter 01-75



Jupiter 01-82

# Material

---

## Seat - Upholstery materials

Johanson offers a very generous range of fabrics, leather and artificial leather from the most reputable suppliers in the world. Should any other material be desired despite the wide selection, it is also possible to suggest other materials. Johanson does not charge start-up costs for handling non-standard materials.

## Multicolour - Finish RAL

Take part in Johanson's color range, 405 variants of different finishes are offered as standard on steel frames and metal details. Choose from all 195 RAL colors, alternatives are available both as solid finish (gloss 72) or Structure finish which has a matte, slightly textured elegant surface. In addition, 15 RAL colors with pearl finish and chrome are offered.

For all colours see [www.johansondesign.com](http://www.johansondesign.com)

195 Solid collection (gloss 72)

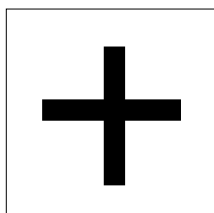
195 Structure collection (matte, textured surface)

15 Pearl finish collection and chrome.



# Accessories

---



## Extra

Floor fixing

# Facts

---

## Material

Fully upholstered armchair with moulded seat frame in polyether. Foam which meets the highest fire classification CMHR- Combustion Modified High Resilience, is available for all models on request. The base is made of finished/lacquered metal.

## Certificate

- Fire certificate (Danak)

**BIM - objects can be downloaded at**

[johansondesign.com](http://johansondesign.com)



3D Max



Autocad 2D



Archicad



Autocad 3D



Revit



Sketchup



pCon

## Recycling

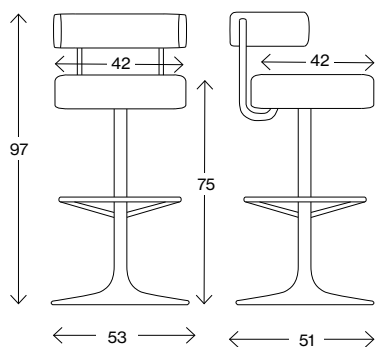
All steel parts are recyclable.

Before we finish the chrome/lacquer all grease/oil is removed by alkaline wash and then sent for destruction. The lacquering is produced by electrostatic epoxy powder coating that gives a minimum of waste. The electrostatic chrome (chrome 3) is recyclable. The plastic parts that are used are recyclable by grinding. All upholstery and frames of synthetic material are totally without C.F.C. emissions. All glue is water based.

# Facts

---

Measurements cm

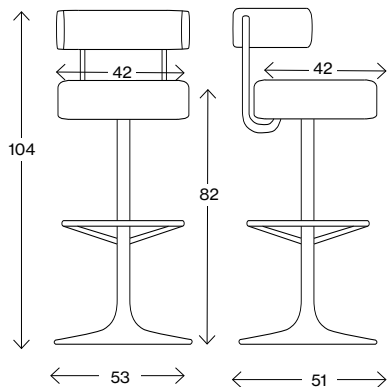


## Jupiter 01-75

Weight (kg) 13,0  
Volym (m<sup>3</sup>) 0,32

Swivel base

Measurements cm



## Jupiter 01-82

Weight (kg) 13,1  
Volym (m<sup>3</sup>) 0,32

Swivel base









# JOHANSON

---

Johanson Design AB | Anders Anderssons Väg 7 | 285 35 Markaryd | Sweden  
Tel +46-433 725 00 | [www.johansondesign.com](http://www.johansondesign.com)