

# Jackie

Design – Mattias Ljunggren



**JOHANSON**



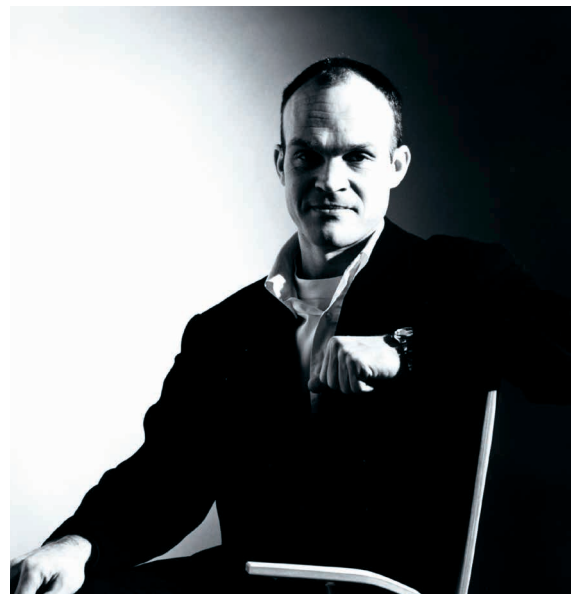
## Introduction

Jackie provides a graphic look, with a dynamic interplay between substance and void. With ultra clean, straight lines. Maximum comfort with clear graphic silhouette. Well suited for bar environments as well as in the private villa.



## Designer

Mattias Ljunggren's design is characterised by a pareddown lightness of touch. He has been working for Johanson Design since 1997 and the Carat chair with its streamlined design is one of his latest pieces. The Jackie bar stool and the Kennedy chair are other items of furniture that Mattias has designed for Johanson. Mattias Ljunggren was born on the island of Gotland in 1956 and is a qualified Interior Architect SIR/MSA. He works on artistic projects, exhibitions in galleries and museums, takes on private and public interior design commissions and designs furniture. He has twice won the Swedish Association of Architects' Golden Chair award ("Guldstolen")



# Models

---



**Jackie 08-65**



**Jackie 08-80**



**Jackie 11-65**



**Jackie 11-75**



**Jackie 11-82**

# Material

---

## Seat - Upholstery materials

Johanson offers a very generous range of fabrics, leather and artificial leather from the most reputable suppliers in the world. Should any other material be desired despite the wide selection, it is also possible to suggest other materials. Johanson does not charge start-up costs for handling non-standard materials.

## Multicolour - Finish RAL

Take part in Johanson's color range, 405 variants of different finishes are offered as standard on steel frames and metal details. Choose from all 195 RAL colors, alternatives are available both as solid finish (gloss 72) or Structure finish which has a matte, slightly textured elegant surface. In addition, 15 RAL colors with pearl finish and chrome are offered.

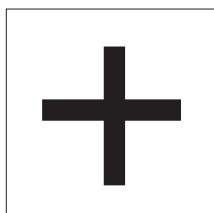
For all colours see [www.johansondesign.com](http://www.johansondesign.com)

- 195 Solid collection (gloss 72)
- 195 Structure collection (matte, textured surface)
- 15 Pearl finish collection and chrome.



# Accessories

---



## Extra

Floor fixing

# Facts

---

## Material

The seat is made of wood and polyether. Foam which meets the highest fire classification CMHR- Combustion Modified High Resilience, is available for all models on request. The base is made of finished/lacquered metal.

## Certificate

- Fire certificate (Danak)

## Recycling

All steel parts are recyclable. Before we finish the chrome/lacquer all grease/oil is removed by alkaline wash and then sent for destruction. The lacquering is produced by electrostatic epoxy powder coating that gives a minimum of waste. The electrostatic chrome (chrome 3) is recyclable. The plastic parts that are used are recyclable by grinding. All upholstery and frames of synthetic material are totally without C.F.C. emissions. All glue is water based.

**BIM - objects can be downloaded at**

**[johansondesign.com](http://johansondesign.com)**



3D Max



Autocad 2D



Archicad



Autocad 3D



Revit



Sketchup

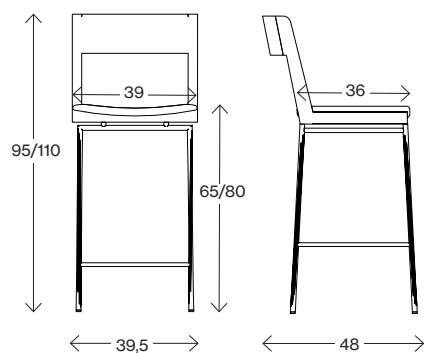


pCon

# Facts

---

Measurements cm



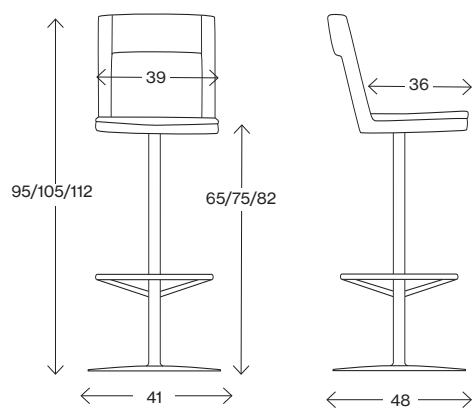
## Jupiter 01-75

Weight (kg) 9,0  
Volym (m<sup>3</sup>) 0,23/0,32

Swivel base

---

Measurements cm



## Jackie 11-65/75/82

Weight (kg) 18  
Volym (m<sup>3</sup>) 0,23/0,32/0,32

Swivel base



# JOHANSON

---

Johanson Design AB | Anders Anderssons Väg 7 | 285 35 Markaryd | Sweden  
Tel +46-433 725 00 | [www.johansondesign.com](http://www.johansondesign.com)