

Family  
**Moment**

Design – Johan Lindstén



**JOHANSON**



## Introduction

Moment is designed around four classic rectangles, producing a shape with clearly recognisable lines that also help to give the construction strength and stability. The formal rigour of the straight legs creates a striking contrast with the softness and comfort of the seat and backrest.

Moment's design makes it well suited to many different types of surroundings. Around the tables in a restaurant, for example. As a desk chair in the office. Or why not simply an extra chair in the lounge? Thanks to the huge potential for variation in terms

of surface treatment, colour and choice of textile that Johanson's production methods offer, the opportunities to create a genuinely individual interior setting are almost endless.

Johan hopes that moment will live up to its name and provide an opportunity for a brief pause – a moment in time. "We all recognise that feeling of suddenly stopping what we are doing and reflecting for a while on something else. In wonder, perhaps. Or gratitude. Or simply because of a thought that comes to mind. That's the feeling I get from Moment," Johan says.



The result of Johan Lindstén's playful experimentation with the rectangular form is not only a distinctive appearance, but also a strong and stable construction. With its comfort and understated elegance Moment chair is the perfect centrepiece around which to create a furnishing solution that exemplifies modern design.

## Designer

Johan Lindstén's products are characterised by well-thought out design and unexpected details in a creative process that optimises function. Johan wants his designs to interact with their surroundings in a way that influences the mood of the user. He draws his inspiration from the most unlikely of sources, such as the lilac bush outside his home or the Ocean of Storms on the moon.



# Models

---



Moment



Moment BS 65



Moment BS 80

# Material

---

## Seat - Upholstery materials

Johanson offers a very generous range of fabrics, leather and artificial leather from the most reputable suppliers in the world. Should any other material be desired despite the wide selection, it is also possible to suggest other materials. Johanson does not charge start-up costs for handling non-standard materials.

## Multicolour - Finish RAL

Take part in Johanson's color range, 405 variants of different finishes are offered as standard on steel frames and metal details. Choose from all 195 RAL colors, alternatives are available both as solid finish (gloss 72) or Structure finish which has a matte, slightly textured elegant surface. In addition, 15 RAL colors with pearl finish.

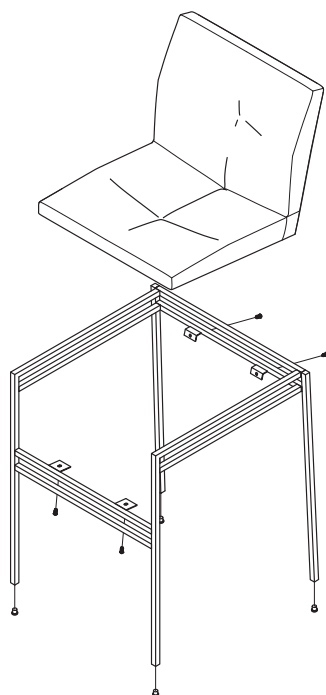
For all colours see [www.johansondesign.com](http://www.johansondesign.com)

- 195 Solid collection (gloss 72)
- 195 Structure collection (matte, textured surface)
- 15 Pearl finish collection



# Facts

## Moment in detail



**Separable**



**20-50%  
Recycled Swedish steel**

**Swedish-made gliders**

## Material

The seat is made of wood and polyether. Foam which meets the highest fire classification CMHR- Combustion Modified High Resilience, is available for all models on request. The base is made of finished/lacquered metal.

## Certificate

- Fire certificate (Danak)



## Recycling

All steel parts are recyclable. Before we finish the chrome/lacquer all grease/oil is removed by alkaline wash and then sent for destruction. The lacquering is produced by electrostatic epoxy powder coating that gives a minimum of waste. The electrostatic chrome (chrome 3) is recyclable. The plastic parts that are used are recyclable by grinding. All upholstery and frames of synthetic material are totally without C.F.C. emissions. All glue is water based.

**BIM - objects can be downloaded**

**at [johansondesign.com](http://johansondesign.com)**



3D Max



Autocad 3D



Archicad



Sketchup



Revit

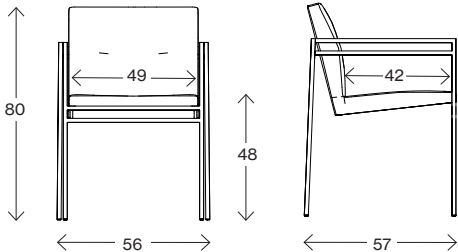
pCon PLANNER pCon



Autocad 2D

# Facts

Measurements cm

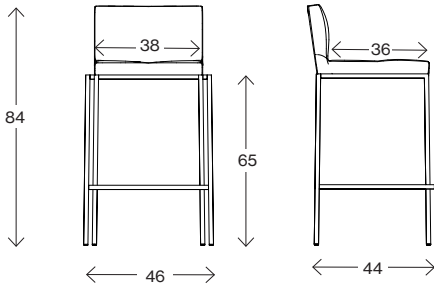


**Moment**

Weight (kg) 11,0  
Volume (m<sup>3</sup>) 0,26



Measurements cm

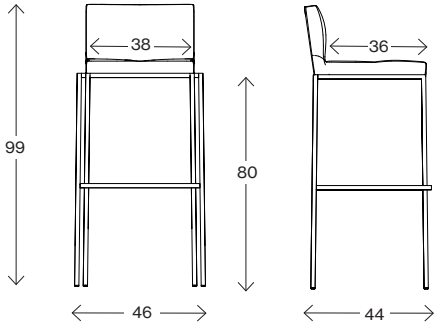


**Moment BS 65**

Weight (kg) -  
Volume (m<sup>3</sup>) 0,17



Measurements cm



**Moment BS 80**

Weight (kg) -  
Volume (m<sup>3</sup>) 0,20

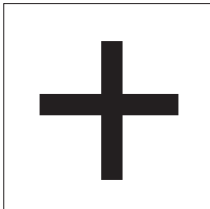


# Accessories



**Stacking trolley**

Stackability for each chair can be found under facts.



**Extra**

Felt gliders





# JOHANSON

---

Johanson Design AB | Anders Anderssons Väg 7 | 285 35 Markaryd | Sweden  
Tel +46-433 725 00 | [www.johansondesign.com](http://www.johansondesign.com)