

Family  
**Studio**

Design – Alexander Lervik



**JOHANSON**



## Introduction

Stackable chair and bar stool. The design of the back creates a handle, making it easy to move. Perfect for restaurants, offices and lecture halls.



## Designer

Alexander Lervik is one of Sweden's most well-known designers, collaborating with a number of national and international producers, including Moroso, Zero, Designhouse Stockholm and Johanson. Though his main focus is lighting, furniture and product design, he also creates concepts for hotel and restaurant interiors and collaborates with fashion brands.



# Models

---



Studio 08-46



Studio 08-46 WA



Studio 09-46



Studio 09-46 WA



Studio BS-65



Studio BS-80

\* Available with wheels as an option

# Material

---

## Seat - Upholstery materials

Johanson offers a very generous range of fabrics, leather and artificial leather from the most reputable suppliers in the world. Should any other material be desired despite the wide selection, it is also possible to suggest other materials. Johanson does not charge start-up costs for handling non-standard materials.

## Multicolour - Finish RAL

Take part in Johanson's color range, 405 variants of different finishes are offered as standard on steel frames and metal details. Choose from all 195 RAL colors, alternatives are available both as solid finish (gloss 72) or Structure finish which has a matte, slightly textured elegant surface. In addition, 15 RAL colors with pearl finish and chrome are offered.

For all colours see [www.johansondesign.com](http://www.johansondesign.com)

**195 Solid collection (gloss 72)**

**195 Structure collection (matte, textured surface)**

**15 Pearl finish collection and chrome.**



# Accessories

---



## Connector

Studio 08-base



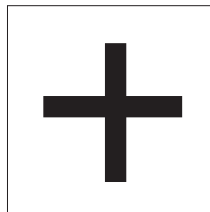
## Stacking trolley

Stackability for each chair can be found under facts.



## Connector

Studio 09-base



## Extra

Felt gliders  
Stacking protection (standard)

# Facts

---

## Material

The seat is made of wood and polyether. Foam which meets the highest fire classification CMHR- Combustion Modified High Resilience, is available for all models on request. The base is made of finished/lacquered metal.

## Certificate

- Fire certificate (Danak)



## Recycling

All steel parts are recyclable. Before we finish the chrome/lacquer all grease/oil is removed by alkaline wash and then sent for destruction. The lacquering is produced by electrostatic epoxy powder coating that gives a minimum of waste. The electrostatic chrome (chrome 3) is recyclable. The plastic parts that are used are recyclable by grinding. All upholstery and frames of synthetic material are totally without C.F.C. emissions. All glue is water based.

## BIM - objects can be downloaded

at [johansondesign.com](http://johansondesign.com)



3D Max



Archicad



Revit



Autocad 2D



Autocad 3D



Sketchup

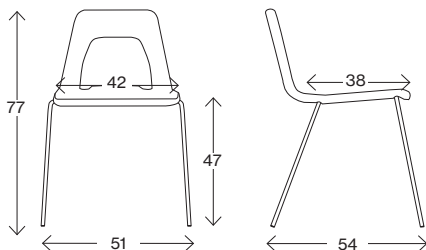


pCon

# Facts

---

Measurements cm



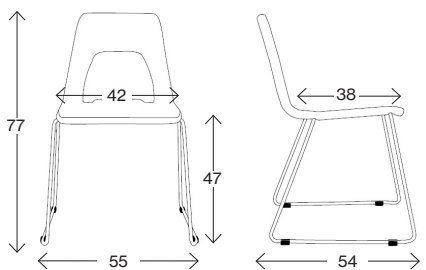
## Studio 08-46

Weight (kg) 6,5  
Volume (m<sup>3</sup>) 0,266

The facts also apply to model with armrest

---

Measurements cm



## Studio 09-46

Weight (kg) 8,0  
Volume (m<sup>3</sup>) 0,266

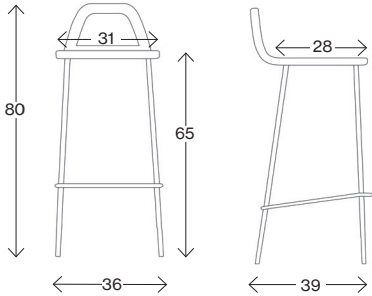
The facts also apply to model with armrest



# Facts

---

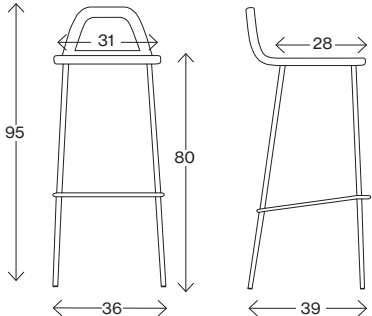
Measurements cm



**Studio BS 65**

Weight (kg) 7,0  
Volume (m<sup>3</sup>) 0,138

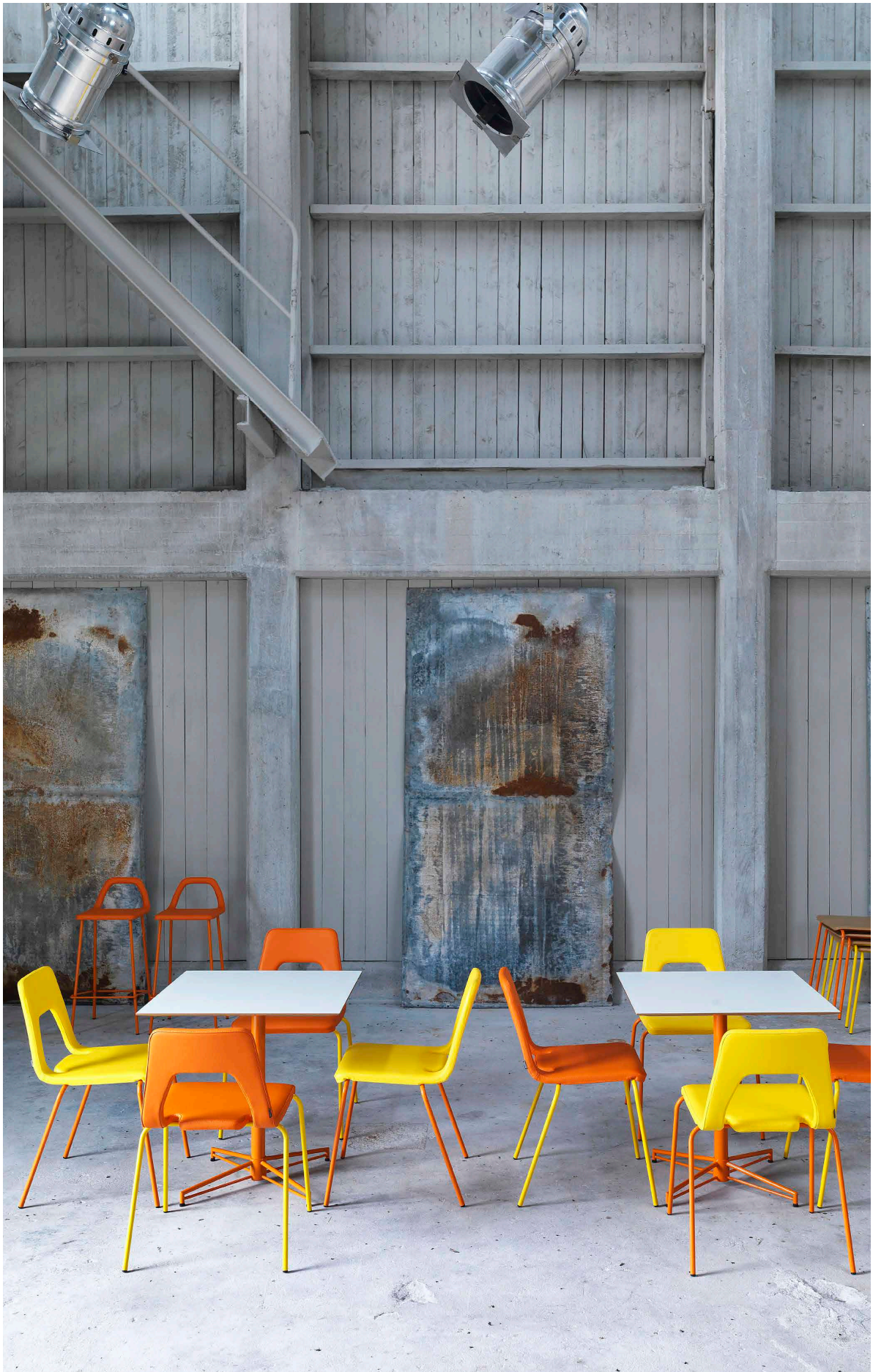
Measurements cm



**Studio BS 80**

Weight (kg) 7,5  
Volume (m<sup>3</sup>) 0,157







# JOHANSON

---

Johanson Design AB | Anders Anderssons Väg 7 | 285 35 Markaryd | Sweden  
Tel +46-433 725 00 | [www.johansondesign.com](http://www.johansondesign.com)