

# Storm

Design – Alexander Lervik



**JOHANSON**



## Introduction

The idea for the table was born out of the need for a smaller table that is easy to move around – either to create space or, quite simply, to allow greater flexibility.



## Designer

Alexander Lervik is one of Sweden's most well-known designers, collaborating with a number of national and international producers, including Moroso, Zero, Designhouse Stockholm and Johanson. Though his main focus is lighting, furniture and product design, he also creates concepts for hotel and restaurant interiors and collaborates with fashion brands.



# Model

---



# Colour

---

## Multicolour - Finish RAL

Take part in Johanson's color range, 405 variants of different finishes are offered as standard on steel frames and metal details. Choose from all 195 RAL colors, alternatives are available both as solid finish (gloss 72) or Structure finish which has a matte, slightly textured elegant surface. In addition, 15 RAL colors with pearl finish and chrome are offered.

For all colours see [www.johansondesign.com](http://www.johansondesign.com)

**195 Solid collection** (gloss 72)

**195 Structure collection** (matte, textured surface)

**15 Pearl finish collection** and chrome.



# Facts

---

## Material

- Recycled Swedish steel

## BIM -objects can be downloaded

[www.johansondesign.com](http://www.johansondesign.com)



3D Max



Autocad 3D



Archicad



Sketchup



Revit



pCon



Autocad 2D

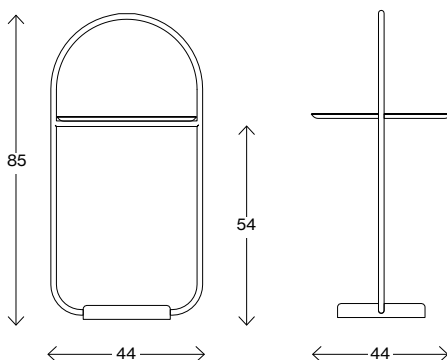
## Recycling

All steel parts are recyclable.

Before we finish the chrome/lacquer all grease/oil is removed by alkaline wash and then sent for destruction. The lacquering is produced by electrostatic epoxy powder coating that gives a minimum of waste. The electrostatic chrome (chrome 3) is recyclable. The plastic parts that are used are recyclable by grinding. All upholstery and frames of synthetic material are totally without C.F.C. emissions. All glue is water based.

---

Dimensions cm



Weight (kg)	11,8
Volume (m³)	-







# JOHANSON

---

Johanson Design AB | Anders Anderssons Väg 7 | 285 35 Markaryd | Sweden  
Tel +46-433 725 00 | [www.johansondesign.com](http://www.johansondesign.com)