

Jupiter

Design – Börje Johanson



JOHANSON



Introduction

Solid, stable bar stools that have long been part of our range. Big sellers in the hotel and restaurant sector.

Models



Jupiter 01-65



Jupiter 01-75



Jupiter 01-82

Material

Seat - Upholstery materials

Johanson offers a very generous range of fabrics, leather and artificial leather from the most reputable suppliers in the world. Should any other material be desired despite the wide selection, it is also possible to suggest other materials. Johanson does not charge start-up costs for handling non-standard materials.

Multicolour - Finish RAL

Take part in Johanson's color range, 405 variants of different finishes are offered as standard on steel frames and metal details. Choose from all 195 RAL colors, alternatives are available both as solid finish (gloss 72) or Structure finish which has a matte, slightly textured elegant surface. In addition, 15 RAL colors with pearl finish and chrome are offered.

For all colours see www.johansondesign.com

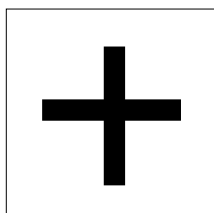
195 Solid collection (gloss 72)

195 Structure collection (matte, textured surface)

15 Pearl finish collection and chrome.



Accessories



Extra

Floor fixing

Facts

Material

Fully upholstered barstool with moulded seat frame in polyether. FSC certified wood. The base is made of finished/lacquered metal.

Fire classification

All products meet Möbelfakta's fire requirements. All polyether/foam are tested to Cal TB 117. All standard fabrics meet EN 1021:1 & 2. Other classification, for example BS 5856 (Crib 5) on request, please contact customer support.

Recycling

All steel parts are recyclable. Before we finish the chrome/lacquer all grease/oil is removed by alkaline wash and then sent for destruction. The lacquering is produced by electrostatic epoxy powder coating that gives a minimum of waste. The electrostatic chrome (chrome 3) is recyclable. The plastic parts that are used are recyclable by grinding. All upholstery and frames of synthetic material are totally without C.F.C. emissions. All glue is water based.

BIM - objects can be downloaded at

johansondesign.com



3D Max



Autocad 2D



Archicad



Autocad 3D



Revit



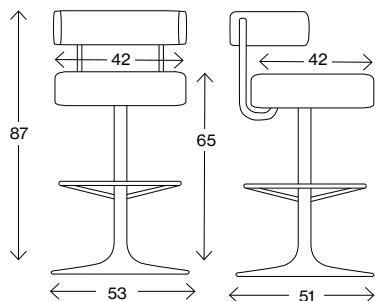
Sketchup



pCon

Facts

Measurements cm

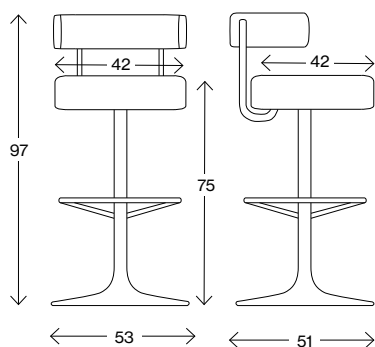


Jupiter 01-65

Weight (kg) -
Volym (m³) -

Swivel base

Measurements cm

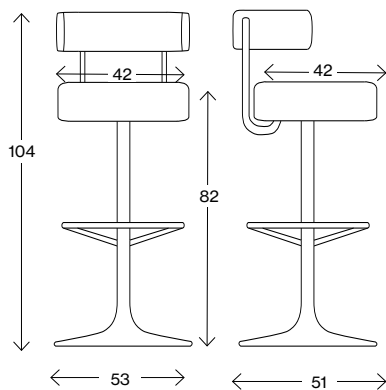


Jupiter 01-75

Weight (kg) 13,1
Volym (m³) 0,32

Swivel base

Measurements cm



Jupiter 01-82

Weight (kg) 13,1
Volym (m³) 0,32

Swivel base







JOHANSON

Johanson Design AB | Anders Anderssons Väg 7 | 285 35 Markaryd | Sweden
Tel +46-433 725 00 | www.johansondesign.com