

Shima & Shima Garden

Design – Böttcher & Kayser



JOHANSON



Introduction

Shima, a hybrid piece of furniture with a stylish and ergonomical design offering comfortable sitting and resting positions for both work and relaxation. Thanks to its attractive design, Shima will suit every occasion, from short coffee breaks to a few hours work in a relaxing atmosphere.

The new **Shima Garden** is a receptacle for flowers or green plants that comes in a range of sizes. This new addition to the Shima series opens up even more opportunities to work creatively to enhance interior environments.



Designer

Böttcher & Kayser is a Berlin-based studio founded in 2007, working in the fields of consumer product, furniture, lighting and interior design. Moritz Böttcher and Nikolaus Kayser have been rewarded with several prestigious awards such as the Interior Innovation Award, several iF Design Awards and numerous Red Dot Awards – including the award, 'Best of the Best' in 2013. Their projects have been published in books and magazines around the world.



Shima



Shima 38



Shima 65



Shima, 1 table



Shima 90



Shima 90, 1 table



Shima 90, 2 tables



Shima 110



Shima 110, 1 table



Shima 110, 2 tables

Shima Garden

Receptacle for flowers or green plants that comes in four sizes, with wheels. Includes a black inner pot in vacuum-formed ABS plastic.



Shima Garden Ø38



Shima Garden Ø65



Shima Garden Ø90



Shima Garden Mini Ø13

Material

Seat - Upholstery materials

Johanson offers a very generous range of fabrics, leather and artificial leather from the most reputable suppliers in the world. Should any other material be desired despite the wide selection, it is also possible to suggest other materials. Johanson does not charge start-up costs for handling non-standard materials.

Multicolour - Finish RAL

Take part in Johanson's color range, 405 variants of different finishes are offered as standard on steel frames and metal details. Choose from all 195 RAL colors, alternatives are available both as solid finish (gloss 72) or Structure finish which has a matte, slightly textured elegant surface. In addition, 15 RAL colors with pearl finish and chrome are offered.

For all colours see www.johansondesign.com

195 Solid collection (gloss 72)

195 Structure collection (matte, textured surface)

15 Pearl finish collection and chrome.



Accessories



Table

Ø44, Oak/wenge/walnut/black laminate/
birch veneer



Self-watering pots

Shima Garden Ø38, Ø65,
Ø90
Eden Ø38, Ø50, Ø65,
Ø90



Buttons

Ø18mm, Ø30mm,
Ø50mm

Facts

Shima, Shima Garden & Eden

Material

The seat is made of FSC certified wood and padding is made of polyether/foam. The base is made of finished/lacquered metal.

Fire classification

All products meet Möbelfakta's fire requirements. All polyether/foam are tested to Cal TB 117. All standard fabrics meet EN 1021:1 & 2. Other classification, for example BS 5856 (Crib 5) on request, please contact customer support.

Recycling

All steel parts are recyclable. Before we finish the chrome/lacquer all grease/oil is removed by alkaline wash and then sent for destruction. The lacquering is produced by electrostatic epoxy powder coating that gives a minimum of waste. The electrostatic chrome (chrome 3) is recyclable. The plastic parts that are used are recyclable by grinding. All upholstery and frames of synthetic material are totally without C.F.C. emissions. All glue is water based.

Certificate



BIM - objects can be downloaded

at johansondesign.com



3D Max



Archicad



Revit



Autocad 2D



Autocad 3D



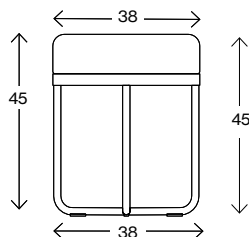
Sketchup

 pCon
The pCon logo features the word 'pCon' in a bold, sans-serif font with a green dot over the 'o', and the word 'PLANER' in a smaller font below it.

Facts

Shima

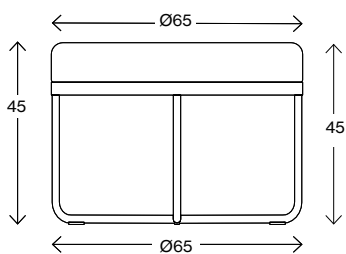
Measurements cm



Shima Ø38

Weight (kg) 4,3
Volume (m³) 0,08

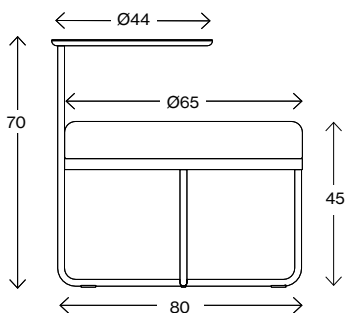
Measurements cm



Shima Ø65

Weight (kg) 10,1
Volume (m³) 0,192

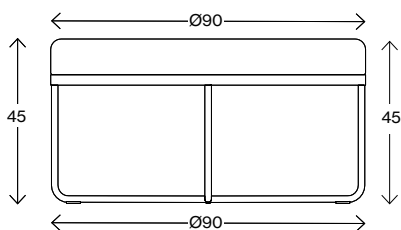
Measurements cm



Shima Ø65 with 1 table

Weight (kg) 14,2
Volume (m³) 0,323

Measurements cm



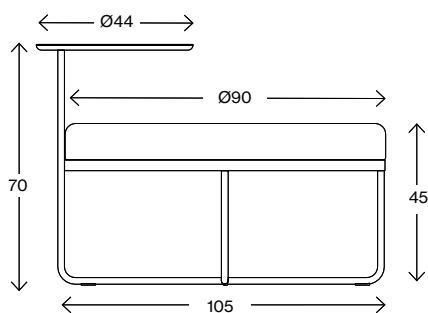
Shima Ø90

Weight (kg) 14,2
Volume (m³) 0,323

Facts

Shima

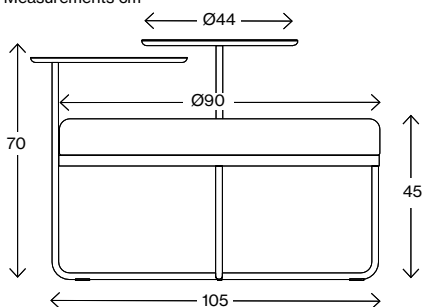
Measurements cm



Shima Ø90 with 1 table

Weight (kg) 20
Volume (m³) 0,69

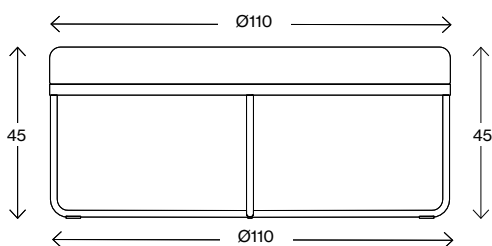
Measurements cm



Shima Ø90 with 2 tables

Weight (kg) 10,1
Volume (m³) 0,19

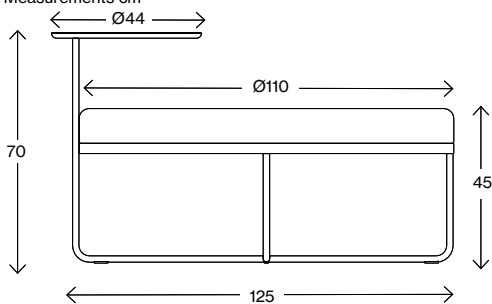
Measurements cm



Shima Ø110

Weight (kg) 23,2
Volume (m³) 1,0

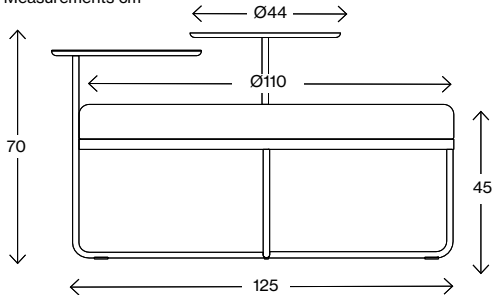
Measurements cm



Shima Ø110 with 1 table

Weight (kg) 26,8
Volume (m³) 1,1

Measurements cm



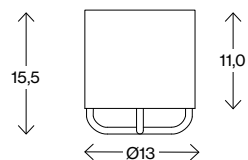
Shima Ø110 with 2 tables

Weight (kg) 30,3
Volume (m³) 1,1

Facts

Shima Garden

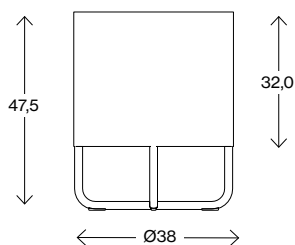
Measurements cm



Shima Garden mini Ø13

Weight (kg) 0,4
Volume (m³) 0,03

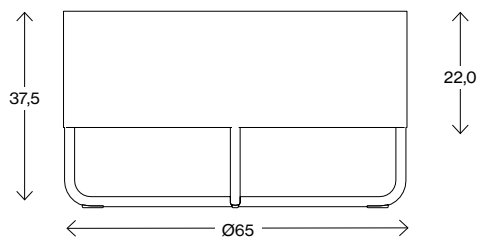
Measurements cm



Shima Garden Ø38

Vikt (kg) 10
Volume (m³) 0,08

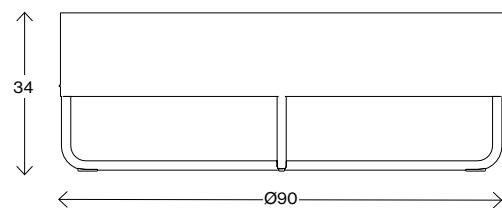
Measurements cm



Shima Garden Ø65

Weight (kg) 13
Volume (m³) 0,26

Measurements cm



Shima Garden Ø90

Weight (kg) 16
Volume (m³) 0,4





JOHANSON

Johanson Design AB | Anders Anderssons Väg 7 | 285 35 Markaryd | Sweden
Tel +46-433 725 00 | www.johansondesign.com