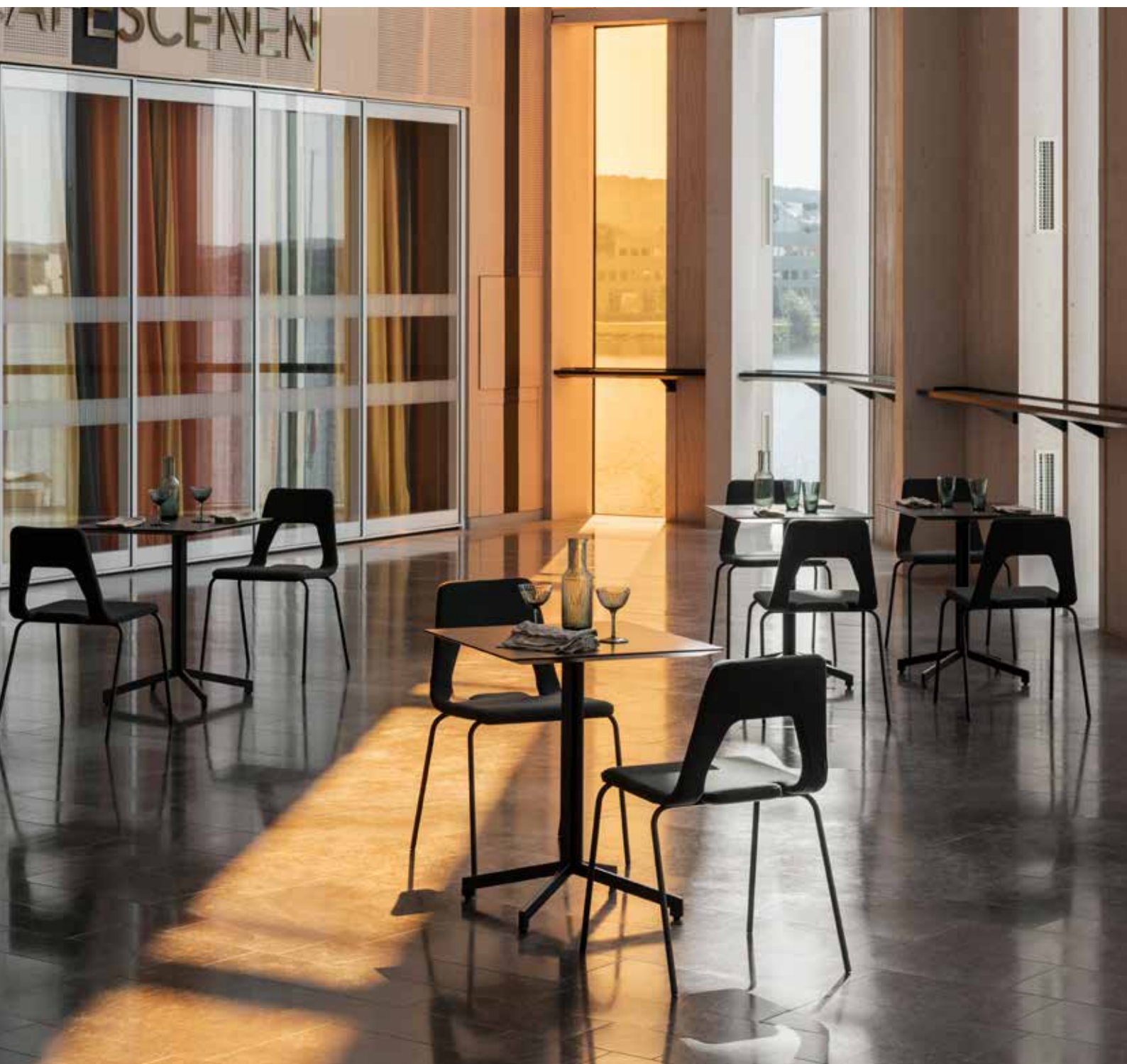


Family
Studio

Design – Alexander Lervik



JOHANSON



Introduction

Stackable chair and bar stool. The design of the back creates a handle, making it easy to move. Perfect for restaurants, offices and lecture halls.



Designer

Alexander Lervik is one of Sweden's most well-known designers, collaborating with a number of national and international producers, including Moroso, Zero, Designhouse Stockholm and Johanson. Though his main focus is lighting, furniture and product design, he also creates concepts for hotel and restaurant interiors and collaborates with fashion brands.



Models



Studio 08-46



Studio 08-46 WA



Studio 09-46



Studio 09-46 WA



Studio BS-65



Studio BS-80

* Available with wheels as an option

Material

Seat - Upholstery materials

Johanson offers a very generous range of fabrics, leather and artificial leather from the most reputable suppliers in the world. Should any other material be desired despite the wide selection, it is also possible to suggest other materials. Johanson does not charge start-up costs for handling non-standard materials.

Multicolour - Finish RAL

Take part in Johanson's color range, 405 variants of different finishes are offered as standard on steel frames and metal details. Choose from all 195 RAL colors, alternatives are available both as solid finish (gloss 72) or Structure finish which has a matte, slightly textured elegant surface. In addition, 15 RAL colors with pearl finish and chrome are offered.

For all colours see www.johansondesign.com

195 Solid collection (gloss 72)

195 Structure collection (matte, textured surface)

15 Pearl finish collection and chrome.



Accessories



Connector

Studio 08-base



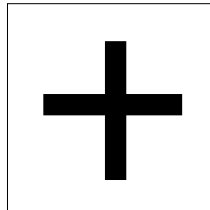
Stacking trolley

Stackability for each chair can be found under facts.



Connector

Studio 09-base



Extra

Felt gliders
Stacking protection (standard)

Facts

Material

The seat is made of FSC certified wood and padding is made of polyether/foam. Finished/lacquered metal.

Fire classification

All products meet Möbelfakta's fire requirements. All polyether/foam are tested to Cal TB 117. All standard fabrics meet EN 1021:1 & 2. Other classification, for example BS 5856 (Crib 5) on request, please contact customer support.

Certificate



Recycling

All steel parts are recyclable. Before we finish the chrome/lacquer all grease/oil is removed by alkaline wash and then sent for destruction. The lacquering is produced by electrostatic epoxy powder coating that gives a minimum of waste. The electrostatic chrome (chrome 3) is recyclable. The plastic parts that are used are recyclable by grinding. All upholstery and frames of synthetic material are totally without C.F.C. emissions. All glue is water based.

BIM - objects can be downloaded

at johansondesign.com



3D Max



Archicad



Revit



Autocad 2D



Autocad 3D

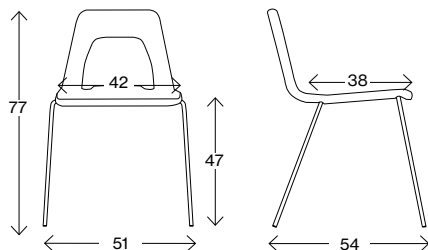


Sketchup

 pCon

Facts

Measurements cm

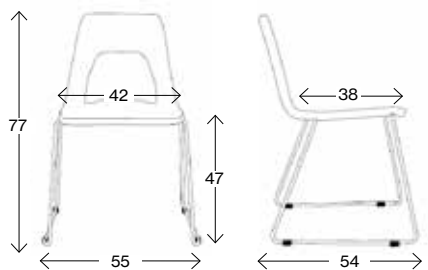


Studio 08-46

Weight (kg) 6,5
Volume (m³) 0,266

The facts also apply to model with armrest

Measurements cm



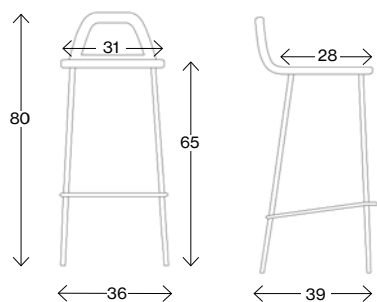
Studio 09-46

Weight (kg) 8,0
Volume (m³) 0,266

The facts also apply to model with armrest

Facts

Measurements cm



Studio BS 65

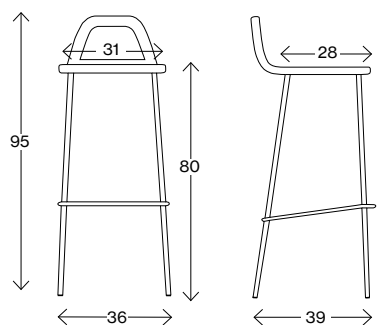
Weight (kg)

7,0

Volume (m³)

0,138

Measurements cm



Studio BS 80

Weight (kg)

7,5

Volume (m³)

0,157







JOHANSON

Johanson Design AB | Anders Anderssons Väg 7 | 285 35 Markaryd | Sweden
Tel +46-433 725 00 | www.johansondesign.com