

# Vinga

Design – Börje Johanson



**JOHANSON**



## Introduction

Beautiful aerodynamic design, created by Johanson Design's founder Börje Johanson. Today this is a whole family of furniture to mix and match.

# Models

---



Vinga 01-46



Vinga 01-65



Vinga 01-75



Vinga 01-82

# Material

---

## Seat - Upholstery materials

Johanson offers a very generous range of fabrics, leather and artificial leather from the most reputable suppliers in the world. Should any other material be desired despite the wide selection, it is also possible to suggest other materials. Johanson does not charge start-up costs for handling non-standard materials.

## Multicolour - Finish RAL

Take part in Johanson's color range, 405 variants of different finishes are offered as standard on steel frames and metal details. Choose from all 195 RAL colors, alternatives are available both as solid finish (gloss 72) or Structure finish which has a matte, slightly textured elegant surface. In addition, 15 RAL colors with pearl finish and chrome are offered.

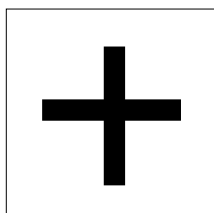
For all colours see [www.johansondesign.com](http://www.johansondesign.com)

- 195 Solid collection (gloss 72)
- 195 Structure collection (matte, textured surface)
- 15 Pearl finish collection



# Accessories

---



## Extra

Floor fixing 01-base  
Quilting

# Facts

---

## Material

Fully upholstered chair/barstool with moulded seat frame in polyether.  
The base is made of finished/lacquerd metal.

## Fire classification

All products meet Möbelfakta's fire requirements. All polyether/foam are tested to Cal TB 117. All standard fabrics meet EN 1021:1 & 2. Other classification, for example BS 5856 (Crib 5) on request, please contact customer support.

## Recycling

All steel parts are recyclable. Before we finish the chrome/lacquer all grease/oil is removed by alkaline wash and then sent for destruction. The lacquering is produced by electrostatic epoxy powder coating that gives a minimum of waste. The electrostatic chrome (chrome 3) is recyclable. The plastic parts that are used are recyclable by grinding. All upholstery and frames of synthetic material are totally without C.F.C. emissions. All glue is water based.

## Certificate



## BIM - objects can be downloaded

at [johansondesign.com](http://johansondesign.com)



3D Max



Archicad



Revit




Autocad 2D



Autocad 3D

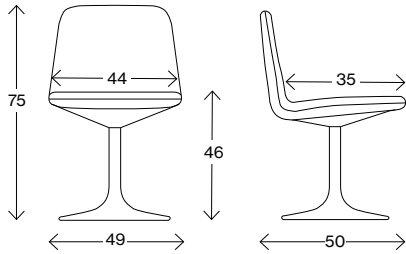


Sketchup

 pCon

# Facts

Measurements cm



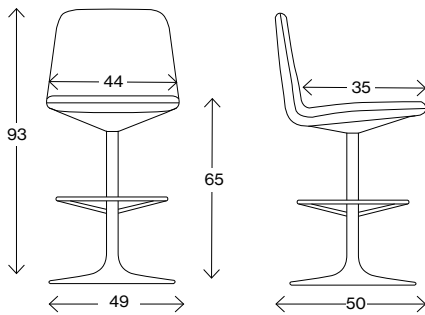
## Vinga 01-46

Weight (kg)  
Volym (m<sup>3</sup>)

8,3  
0,2

Swivel base

Measurements cm



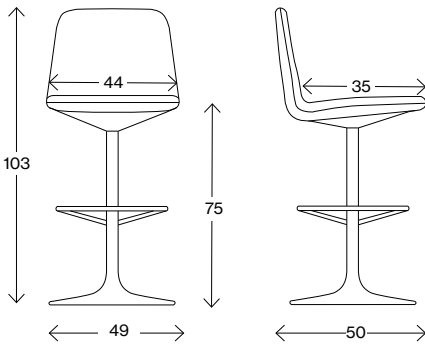
## Vinga 01-65

Weight (kg)  
Volym (m<sup>3</sup>)

-  
-

Swivel base

Measurements cm



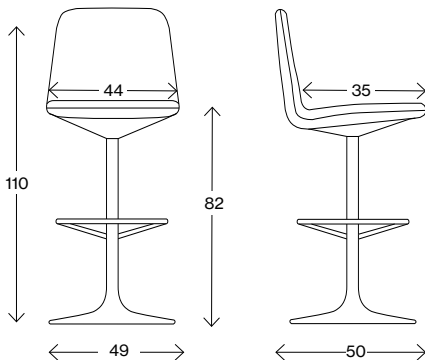
## Vinga 01-75

Weight (kg)  
Volym (m<sup>3</sup>)

11,5  
0,27

Swivel base

Measurements cm



## Vinga 01-82

Weight (kg)  
Volym (m<sup>3</sup>)

11,5  
0,29

Swivel base







# JOHANSON

---

Johanson Design AB | Anders Anderssons Väg 7 | 285 35 Markaryd | Sweden  
Tel +46-433 725 00 | [www.johansondesign.com](http://www.johansondesign.com)