

Champ

Design – Böttcher & Kayser



JOHANSON



Introduction

The CHAMP concept comprises a padded stool and a small matching table. The two pieces take their inspiration from the same design idea – ideal companions that together form the perfect pair. Both incorporate a metal ring that provides a natural grip, which makes the stool and the table easy to move. Also, thanks to the generous choice of colours offered by

Johanson, this metal ring serves as a design feature that can be ordered in either a contrasting colour or a matching shade.

Place CHAMP as an individual focus of attention or grouped like mushrooms in the forest – some standing proud on their own, others gathered together in a cosy huddle.



Designer

Böttcher & Kayser is a Berlin-based studio founded in 2007, working in the fields of consumer product, furniture, lighting and interior design. Moritz Böttcher and Nikolaus Kayser have been rewarded with several prestigious awards such as the Interior Innovation Award, several iF Design Awards and numerous Red Dot Awards – including the award, Best of the Best' in 2013. Their projects have been published in books and magazines around the world.



Models

Champ Pouf and Champ Table are only available with RAL in Structure finish.



Champ Pouf



Champ Table

Material

Seat - Upholstery materials

Johanson offers a very generous range of fabrics, leather and artificial leather from the most reputable suppliers in the world. Should any other material be desired despite the wide selection, it is also possible to suggest other materials. Johanson does not charge start-up costs for handling non-standard materials.

Multicolour - Finish RAL

Take part in Johanson's color range, 405 variants of different finishes are offered as standard on steel frames and metal details. Choose from all 195 RAL colors, alternatives are available both as solid finish (gloss 72) or Structure finish which has a matte, slightly textured elegant surface. In addition, 15 RAL colors with pearl finish are offered.

Champ Pouf and Champ Table are only available with RAL in Structure finish.

For all colours see www.johansondesign.com

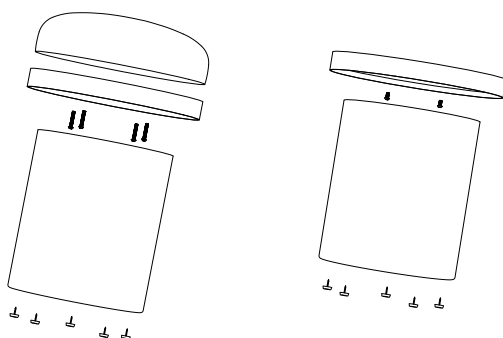
- 195 Solid collection (gloss 72)
- 195 Structure collection (matte, textured surface)
- 15 Pearl finish collection



Facts

Champ in detail

Separable



Material

FSC certified wood
Padding is made of polyether/foam.
Finished/lacquered metal.

Fire classification

All products meet Möbelfakta's fire requirements. All polyether/foam are tested to Cal TB 117. All standard fabrics meet EN 1021:1 & 2. Other classification, for example BS 5856 (Crib 5) on request, please contact customer support.

Recycling

All steel parts are recyclable. Before we finish the chrome/lacquer all grease/oil is removed by alkaline wash and then sent for destruction. The lacquering is produced by electrostatic epoxy powder coating that gives a minimum of waste. The electrostatic chrome (chrome 3) is recyclable. The plastic parts that are used are recyclable by grinding. All upholstery and frames of synthetic material are totally without C.F.C. emissions. All glue is water based.

Certificate



BIM - objects can be downloaded at johansondesign.com



3D Max



Autocad 2D



Archicad



Autocad 3D



Revit



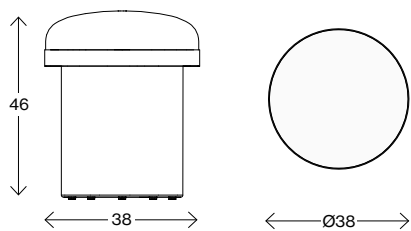
Sketchup



pCon

Facts

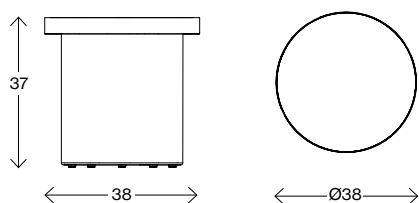
Measurements cm



Champ stool

Weight 5,8
Volume (m³) 0,07

Measurements cm



Champ table

Weight 6,5
Volume (m³) 0,05





JOHANSON

Johanson Design AB | Anders Anderssons Väg 7 | 285 35 Markaryd | Sweden
Tel +46-433 725 00 | www.johansondesign.com