

Family  
**Saga**

Design – Alexander Lervik



**JOHANSON**



## Introduction

Close long-term collaboration between Alexander Lervik and Johanson has resulted in numerous successful products over the years. This spring Alexander makes his mark in our product portfolio once more with the launch of Saga

Alexander has based his design on the classic café chair to make sure the result will work well in a wide range of settings and situations.

Saga is stackable and all the backrests are designed so that the chair can easily be hung from a table or desk to make cleaning easier.



## Designer

Alexander Lervik is one of Sweden's most well-known designers, collaborating with a number of national and international producers, including Moroso, Zero, Designhouse Stockholm and Johanson. Though his main focus is lighting, furniture and product design, he also creates concepts for hotel and restaurant interiors and collaborates with fashion brands.



# Models

---



**Saga 08-46 Classic**



**Saga BS 65 Classic**



**Saga BS 80 Classic**

# Material

---

## Back - Wood



Oak



White stained oak



Black stained oak



Oak veneer stained in any RAL color

## Seat - Upholstery materials

Johanson offers a very generous range of fabrics, leather and artificial leather from the most reputable suppliers in the world. Should any other material be desired despite the wide selection, it is also possible to suggest other materials. Johanson does not charge start-up costs for handling non-standard materials

## Multicolour - Finish RAL

Take part in Johanson's color range, 405 variants of different finishes are offered as standard on steel frames and metal details. Choose from all 195 RAL colors, alternatives are available both as solid finish (gloss 72) or Structure finish which has a matte, slightly textured elegant surface. In addition, 15 RAL colors with pearl finish and chrome are offered.

For all colours see [www.johansondesign.com](http://www.johansondesign.com)

**195 Solid collection** (gloss 72)

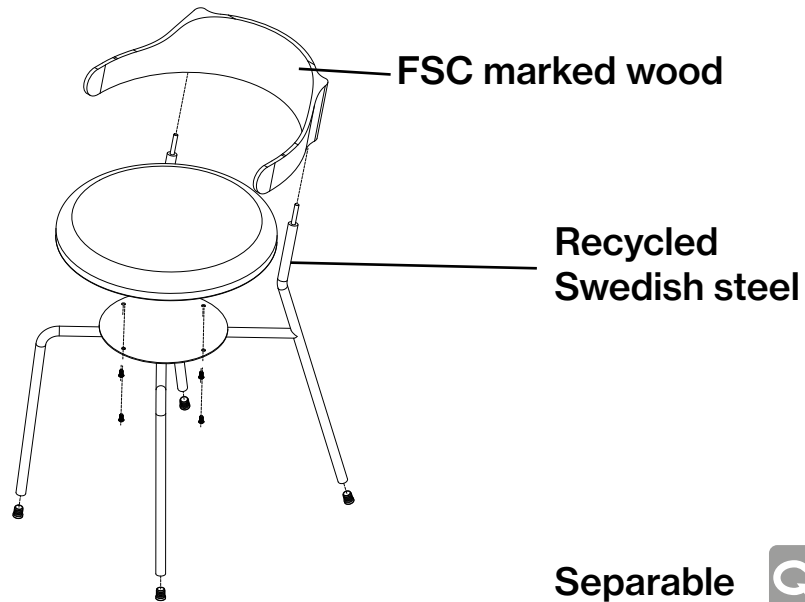
**195 Structure collection** (matte, textured surface)

**15 Pearl finish collection** and chrome.



# Facts

## Saga in detail



### Material

The seat is made of FSC certified wood and padding is made of polyether/foam. Finished/lacquered metal.

### Fire classification

All products meet Möbelfakta's fire requirements. All polyether/foam are tested to Cal TB 117. All standard fabrics meet EN 1021:1 & 2. Other classification, for example BS 5856 (Crib 5) on request, please contact customer support.

### Certificate



### Recycling

All steel parts are recyclable. Before we finish the chrome/lacquer all grease/oil is removed by alkaline wash and then sent for destruction. The lacquering is produced by electrostatic epoxy powder coating that gives a minimum of waste. The electrostatic chrome (chrome 3) is recyclable. The plastic parts that are used are recyclable by grinding. All upholstery and frames of synthetic material are totally without C.F.C. emissions. All glue is water based.

**BIM - objects can be downloaded at**  
[johansondesign.com](http://johansondesign.com)



3D Max



Autocad 2D



Archicad



Autocad 3D



Revit



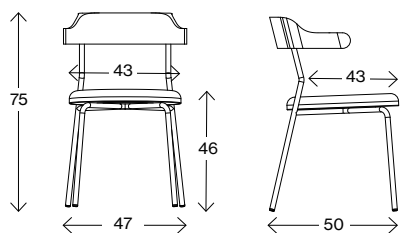
Sketchup



pCon

# Facts

Measurements cm



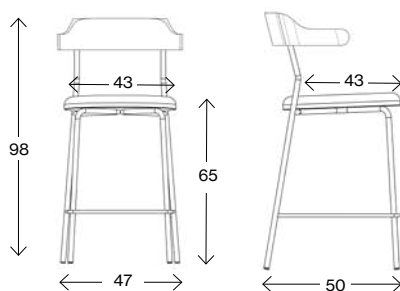
## Saga Classic



Weight (kg) 5,8  
Volume (m<sup>3</sup>) 0,21

Accessories Stacking protection

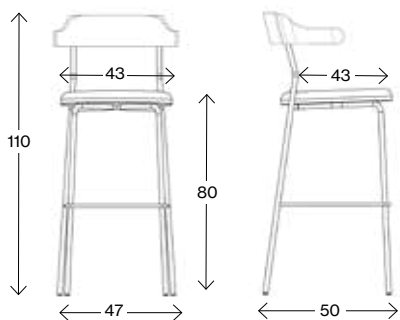
Measurements cm



## Saga BS Classic 65

Weight (kg) -  
Volume (m<sup>3</sup>) 0,21

Measurements cm



## Saga BS Classic 80

Weight (kg) -  
Volume (m<sup>3</sup>) 0,21



# JOHANSON

---

Johanson Design AB | Anders Anderssons Väg 7 | 285 35 Markaryd | Sweden  
Tel +46-433 725 00 | [www.johansondesign.com](http://www.johansondesign.com)