

Family
Plus

Design – Alexander Lervik



JOHANSON



Introduction

The plus sign on the backrest is the symbol that identifies the chair and gives it its name. "I wanted to give the chair a strong identity. When I was thinking how best to fix the backrest to the frame, it struck me that I could let the head of the screw that holds the back in place have the form of a graphic symbol. That's how PLUS was born. A chair designed to combine the highest possible environmental profile with a minimal cost. That's exactly the kind of product the market is looking for right now," Alexander explains.

Throughout the entire development process the focus has been on finding manufacturing methods that minimise material use, not only in order to ensure an attractive price level, but more importantly to reduce climate impact. Stackability is always a key factor for the functionality of chairs used in public spaces. The stackable chair is made of 100% polypropylene and is also available as a bar stool, along with an accompanying table series.



Designer

Alexander Lervik is one of Sweden's most well-known designers, collaborating with a number of national and international producers, including Moroso, Zero, Designhouse Stockholm and Johanson. Though his main focus is lighting, furniture and product design, he also creates concepts for hotel and restaurant interiors and collaborates with fashion brands.



Models



Plus 08-46



Plus 08-46 Open Armrests



Plus 09-46



Plus 09-46 Open Armrests



Plus BS 08-65



Plus BS 08-80



Plus Table - S



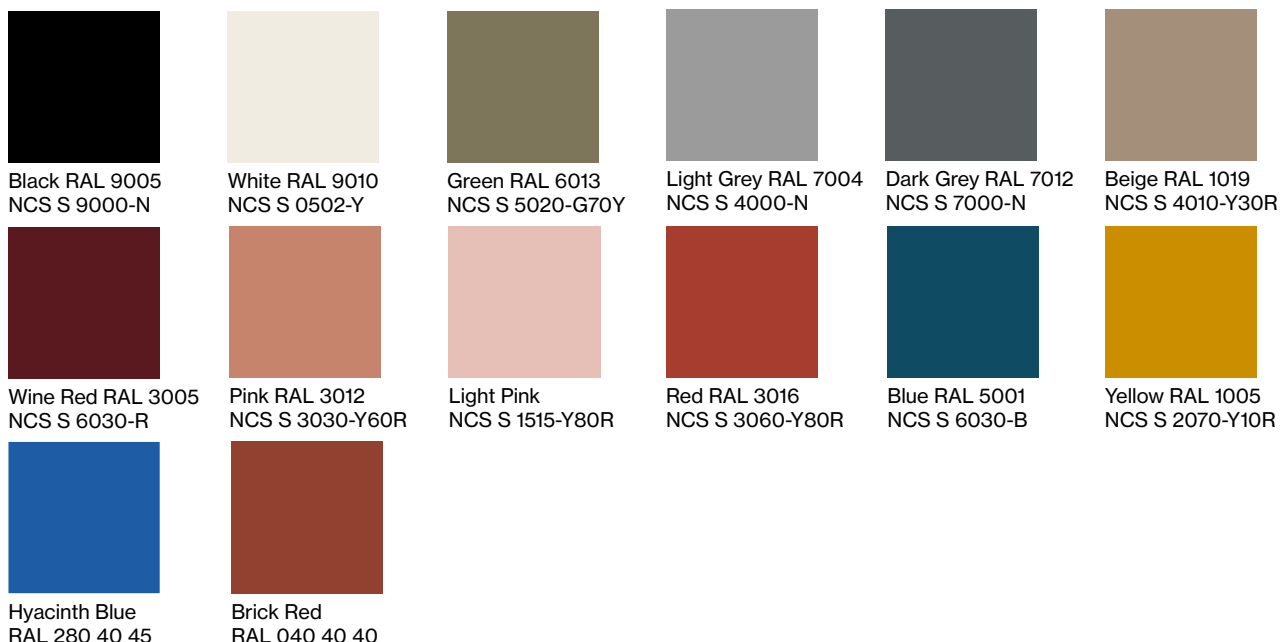
Plus Table - M

Seats & Material

Plus and Plus BS are also available in an upholstered version; choose fully upholstered or with only an upholstered seat.



Plastic seat - colour options



Above colors for Plus seat shells are standard.
In addition to these, we can offer the seat shells in all other RAL colors.
For more information please contact our customer support.

Material

Seat - Upholstery materials

Johanson offers a very generous range of fabrics, leather and artificial leather from the most reputable suppliers in the world. Should any other material be desired despite the wide selection, it is also possible to suggest other materials. Johanson does not charge start-up costs for handling non-standard materials.

Multicolour - Finish RAL

Take part in Johanson's color range, 405 variants of different finishes are offered as standard on steel frames and metal details. Choose from all 195 RAL colors, alternatives are available both as solid finish (gloss 72) or Structure finish which has a matte, slightly textured elegant surface. In addition, 15 RAL colors with pearl finish and chrome are offered.

For all colours see www.johansondesign.com

195 Solid collection (gloss 72)

195 Structure collection (matte, textured surface)

15 Pearl finish collection and chrome.



Facts



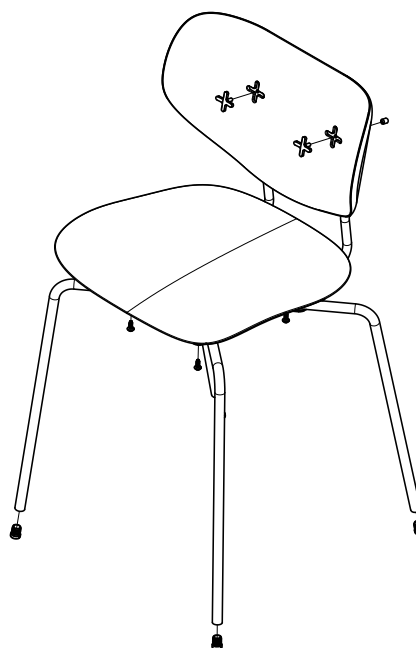
Separable

Plus in detail

- 20-50% Recycled Swedish steel
- Swedish-made gliders
- Separable
- 100% Polypropylene
- Black plastic (and fully upholstered) contains 80% recycled material and holds the EU Ecolabel certification.



Colors in recycled plastic can be produced upon request, subject to potential color variations.



Facts

Material

100% PP (Polypropylene).
Black plastic: made of 80% recycled material
Fully upholstered backrest: FSC-certified wood material
Finished/lacquered metal.

Fire classification

All products meet Möbelfakta's fire requirements. All polyether/foam are tested to Cal TB 117. All standard fabrics meet EN 1021:1 & 2. Other classification, for example BS 5856 (Crib 5) on request, please contact customer support.

Certificate



Recycling

All steel parts are recyclable.
Before we finish the chrome/lacquer all grease/oil is removed by alkaline wash and then sent for destruction. The lacquering is produced by electrostatic epoxy powder coating that gives a minimum of waste. The electrostatic chrome (chrome 3) is recyclable. The plastic parts that are used are recyclable by grinding. All upholstery and frames of synthetic material are totally without C.F.C. emissions. All glue is water based.

CAD - objects can be downloaded

at johansondesign.com



3D Max



Autocad 3D



Archicad



Sketchup



Revit



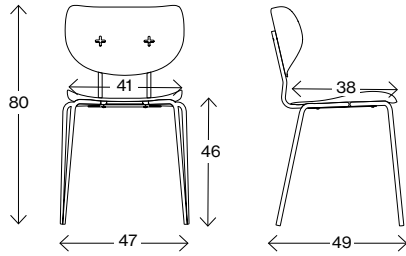
pCon



Autocad 2D

Facts

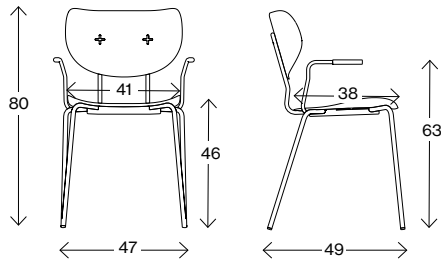
Measurements cm



Plus 08-46

Weight (kg) 5,5
Volume (m³) 0,27

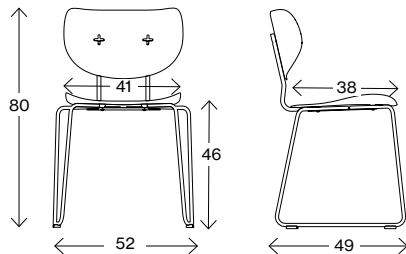
Measurements cm



Plus 08-46 Open Armrests

Weight (kg) 5,5
Volume (m³) 0,27

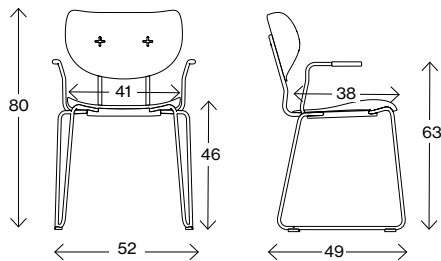
Measurements cm



Plus 09-46

Weight (kg) 5,5
Volume (m³) 0,27

Measurements cm

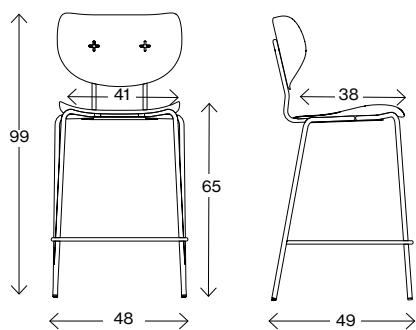


Plus 09-46 Open Armrests

Weight (kg) 5,5
Volume (m³) 0,27

Facts

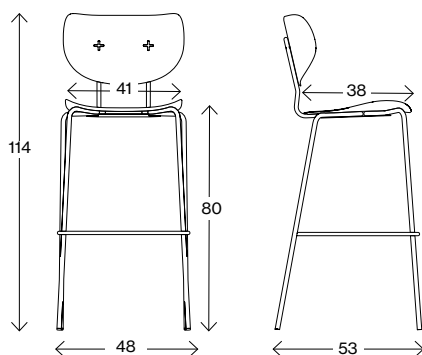
Measurements cm



Plus BS 08-65

Weight (kg) 6,1
Volume (m³) 0,29

Measurements cm



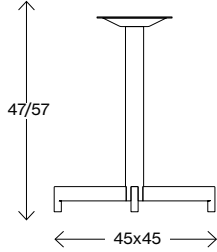
Plus BS 08-80

Weight (kg) 6,6
Volume (m³) 0,33

Facts

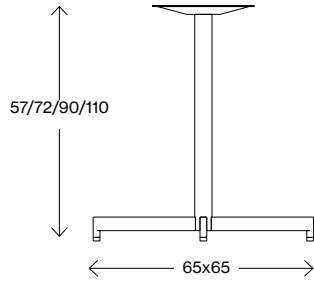
Measurements cm

Plus Table - S



Measurements cm

Plus Table - M



Recommended combinations



	
Top	Plus
Ø50	S: 47/57
Ø60	S: 47/57
Ø75	M: 57/72/90/110
Ø90	M: 57/72
60x70	M: 57/72/90/110
70x70	M: 57/72/90/110
140x70	M: 57/72/90/110 (x2)
180x70	M: 57/72/90/110 (x2)
180x90	M: 57/72/90/110 (x2)



Table tops



Discus

Chamfered edge with thickness 25mm. MDF with laminate or veneer in different executions.

Finish	Description	Edge
White laminate	F1040 MAT Alpino RAL 9010	Discus edge, natural lacq. MDF
Black laminate	F2253 MAT Diamond black RAL 9011	Discus edge, natural lacq. MDF
Light grey laminate	F7927 MAT Folkestone NCS S 2500-N	Discus edge, natural lacq. MDF
Oak laminate	F5374 NAT Elegant oak	Discus edge, natural lacq. MDF
Birch laminate	F7921 MAT Birch	Discus edge, natural lacq. MDF
Wenge laminate	F1614 MAT Punga Punga Wood	Discus edge, natural lacq. MDF
Walnut laminate	F5150 MAT American Walnut	Discus edge, natural lacq. MDF
Ash laminate	F8843 NAT Natural Ash	Discus edge, natural lacq. MDF
Oak veneer	Clear lacquered oak veneer	Discus edge, natural lacq. MDF
Birch veneer	Clear lacquered birch veneer	Discus edge, natural lacq. MDF
Ash veneer	Clear lacquered ash veneer	Discus edge, natural lacq. MDF
Formica Collection Colors	Any color from Formica Collection Colors:	Discus edge, natural lacq. MDF
White laminate	F1040 MAT Alpino RAL 9010	Discus edge, white lacquered MDF
Black laminate	F2253 MAT Diamond black RAL 9011	Discus edge, black MDF
Black stained oak veneer	Black stained lacquered oak veneer	Discus edge, black stained MDF
White stained oak veneer	Oak veneer white pigmented lacquer	Discus edge, white stained MDF
Black stained ash veneer	Black stained lacquered ash veneer	Discus edge, black stained MDF
White stained ash veneer	Ash veneer white pigmented lacquer	Discus edge, white stained MDF
Abet Laminati	Rocks 557 Papier	Discus edge, natural lacq. MDF
Abet Laminati	Rocks 1451 Papier	Discus edge, natural lacq. MDF
Abet Laminati	Rocks 596 Climb	Discus edge, natural lacq. MDF
Fenix NTM laminate	0718 Grigio Londra	Discus edge, black MDF
Fenix NTM laminate	0720 Nero Ingo	Discus edge, black MDF
Fenix NTM laminate	0724 Grigio Bromo	Discus edge, black MDF
Fenix NTM laminate	0752 Grigio Antrim	Discus edge, black MDF
Formica Collection True Scale	F3458 Travertine Silver AR Plus	Discus edge, natural lacq. MDF
Formica Collection True Scale	F3457 Breccia Paradiso AR Plus	Discus edge, natural lacq. MDF
Formica Collection True Scale	F3476 Jet Sequoia AR Plus	Discus edge, natural lacq. MDF
Formica Collection Patterns	F8832 Elemental Corten AHD	Discus edge, natural lacq. MDF
Formica Collection Colors	Any color from Formica Collection Colors:	Colour lacquered to match laminate



Basic

Straight edge with thickness 25mm.

Finish	Description	Edge
White laminate		Basic edge, white ABS-edge
Black laminate		Basic edge, black ABS-edge
Forbo Desktop	4023 Nero	Basic edge in matching colour
Forbo Desktop	4172 Mauve	Basic edge in matching colour
Forbo Desktop	4132 Ash	Basic edge in matching colour
Forbo Desktop	4179 Smokey Blue	Basic edge in matching colour
Forbo Desktop	4174 Conifer	Basic edge in matching colour
Forbo Desktop	4184 Olive	Basic edge in matching colour
Forbo Desktop	4176 Mushroom	Basic edge in matching colour
Kvadrat Really	Cotton Cream	ABS-edge, Note! Thickness: 18mm.
Kvadrat Really	Cotton White	ABS-edge, Note! Thickness: 18mm.

Other

Besides our standard range of veneer, laminate, stain and lacquer-colours we can offer customized solutions.











JOHANSON

Johanson Design AB | Anders Anderssons Väg 7 | 285 35 Markaryd | Sweden
Tel +46-433 725 00 | www.johansondesign.com